

MSAD

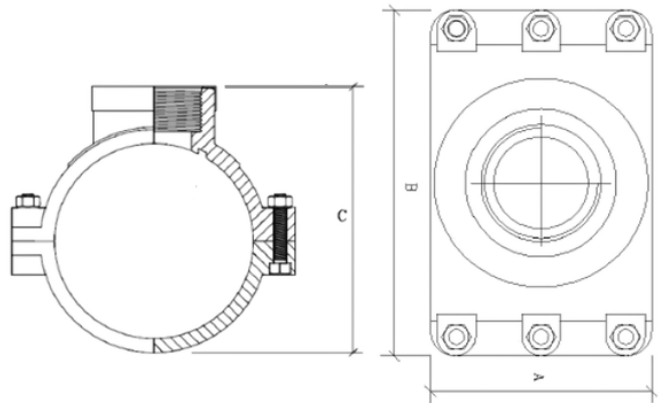
Philmac S-Saddle

- Material: Polypropylene PP-B
- Compound homo- and copolymer, optimize resistance in cold/heat and stress resistance
- Range: d25 - d315
- ISO by BSP ASTN/Inches/IPS/ JIS by BSP or NPT
- EPDM flat and profiled gasket with maximized sealing surface*
- up to 3 times larger sealing surface than traditional O-ring gaskets
- Long Reinforcement ring made of Stainless steel to secure threads shape
- Galvanized, zinc plated nuts and bolts**
- Patented Anti-rotation System:
- Innovative Anti-Rotation System avoids rotation of pipes during installation
- Captive Bolts preventing screws from falling out
- Accomodates pipe ovalities
- Ability to be used as repair clamp for holes
- Application: Potable water, Irrigation

*NBR on demand

**Stainless Steel on demand

Palett Size: 114x76xh120



Artikel	d	R	A	Gewicht [kg]	VE
S160032120	32	1/2"	55	0,070	150
S160032340	32	3/4"	55	0,070	150
S160040120	40	1/2"	63	0,090	100
S160040340	40	3/4"	63	0,090	100
S160050120	50	1/2"	74	0,150	80

MSAD

Philmac S-Saddle

Artikel	d	R	A	Gewicht [kg]	VE
S160050340	50	3/4"	75	0,150	80
S160050100	50	1"	77	0,160	80
S160063120	63	1/2"	90	0,210	50
S160063340	63	3/4"	93	0,220	50
S160063100	63	1"	95	0,220	50
S160063114	63	1 1/4"	95	0,230	50
S160063112	63	1 1/2"	101	0,240	40
S160075340	75	3/4"	102	0,380	40
S160075100	75	1"	108	0,390	40
S160090120	90	1/2"	122	0,400	30
S160090340	90	3/4"	124	0,410	30
S160090100	90	1"	126	0,420	30
S160090114	90	1 1/4"	127	0,420	30
S160090112	90	1 1/2"	130	0,430	25
S160090200	90	2"	130	0,450	25
S160110120	110	1/2"	130	0,640	20
S160110340	110	3/4"	145	0,650	20
S160110100	110	1"	148	0,660	20
S160110114	110	1 1/4"	149	0,670	20
S160110112	110	1 1/2"	150	0,680	15
S160110200	110	2"	151	0,710	15
S160125340	125	3/4"	170	0,720	18
S160125100	125	1"	170	0,720	18
S160160340	160	3/4"	204	1,070	10
S160160100	160	1"	210	1,070	10
S160160112	160	1 1/2"	213	1,100	10
S160160200	160	2"	213	1,110	10
S160200100	200	1"	282	1,640	4
S160200112	200	1 1/2"	273	1,650	4
S160200200	200	2"	277	1,670	4