

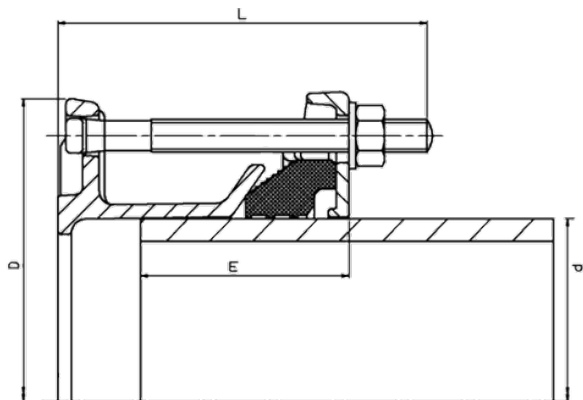
Wide-Range Flanschadapter (EU-Stück)

Flanschadapter zur Anbindung von Rohren unterschiedlicher Materialien (Stahl, Guss, Duktill-Guss, Asbestzement, PVC, PE-HD/PEX).

- Gehäuse und Folgering aus Stahl
- Korrosionsschutz Rilsan (min. 250 µm gem. GSK)
- Schrauben und Muttern verzinkt/theraplexbeschichtet bzw. aus Edelstahl
- Dichtungswerkstoff EPDM
- Durchmessertoleranz max. 17 mm
- Abwinkelung der Rohre von max. 3 Grad möglich
- Flanschanschlussmaße nach DIN EN1092, PN 10 und PN 16
- Temperaturbereich: -20°C - +30°C

Hinweis:

Bei der Anwendung auf PE-HD/PEX-Rohren ist unsere Innenstützhülse SHVA erforderlich. Alternativ empfehlen wir das längskraftschlüssige Produkt FRIAGRIP.



Schrauben verzinkt und theraplexbeschichtet

Dichtung EPDM, DIN-EN 681-1 / KTW / UBA / DVGW-W270

PFA/PN Wasser = 16 bar

Artikel	d	DN	Flansch DN	Flansch PN	L	Gewicht [kg]	VE	PE
GB-14R9-351-30	351,0-368,0	300	300	10	345	57,000	1	4
GB-16R9-351-30	351,0-368,0	300	300	16	345	57,000	1	4
GB-14R9-374-35	374,5-391,5	350	350	10	180	38,100	1	2

Wide-Range Flanschadapter (EU-Stück)

Artikel	d	DN	Flansch DN	Flansch PN	L	Gewicht [kg]	VE	PE
GB-16R9-374-35	374,5-391,5	350	350	16	180	38,100	1	2
GB-14R9-394-35	394,3-411,3	350	350	10	280	45,300	1	1
GB-16R9-394-35	394,3-411,3	350	350	16	280	39,800	1	1
GB-14R9-404-40	404,8-421,8	400	400	10	180	37,900	1	1
GB-16R9-404-40	404,8-421,8	400	400	16	180	39,600	1	1
GB-14R9-425-40	425,0-442,0	400	400	10	180	35,500	1	1
GB-16R9-425-40	425,0-442,0	400	400	16	180	35,500	1	1
GB-14R9-447-40	447,2-464,2	400	400	10	280	45,900	1	1
GB-16R9-447-40	447,2-464,2	400	400	16	280	45,900	1	1
GB-14R9-455-40	455,0-472,0	400	400	10	280	50,000	1	1
GB-16R9-455-40	455,0-472,0	400	400	16	280	45,600	1	1
GB-14R9-501-45	501,9-518,9	450	450	10	280	53,700	1	1
GB-16R9-501-45	501,9-518,9	450	450	16	280	53,700	1	1
GB-14R9-501-50	501,9-518,9	500	500	10	180	53,700	1	1
GB-16R9-501-50	501,9-518,9	500	500	16	180	53,700	1	1
GB-14R9-510-50	510,0-527,0	500	500	10	180	48,000	1	1
GB-16R9-510-50	510,0-527,0	500	500	16	180	53,000	1	1
GB-14R9-527-50	527,0-544,0	500	500	10	180	42,900	1	1
GB-16R9-527-50	527,0-544,0	500	500	16	180	50,500	1	1
GB-14R9-540-50	540,1-557,1	500	500	10	280	50,500	1	1
GB-16R9-540-50	540,1-557,1	500	500	16	280	50,500	1	1
GB-14R9-555-50	555,3-572,3	500	500	10	280	62,000	1	1
GB-16R9-555-50	555,3-572,3	500	500	16	280	64,000	1	1
GB-14R9-566-50	566,5-583,5	500	500	10	345	62,200	1	1
GB-16R9-566-50	566,5-583,5	500	500	16	345	62,200	1	1
GB-14R9-582-50	582,2-599,2	500	500	10	345	54,200	1	1
GB-16R9-582-50	582,2-599,2	500	500	16	345	62,500	1	1
GB-14R9-601-60	601,0-618,0	600	600	10	180	63,000	1	1
GB-16R9-601-60	601,0-618,0	600	600	16	180	65,500	1	1
GB-14R9-630-60	630,5-647,5	600	600	10	180	63,400	1	1
GB-16R9-630-60	630,5-647,5	600	600	16	180	66,100	1	1
GB-14R9-645-60	645,2-662,2	600	600	10	280	63,100	1	1
GB-16R9-645-60	645,2-662,2	600	600	16	280	63,700	1	1
GB-14R9-675-60	675,0-692,0	600	600	10	280	64,400	1	1
GB-16R9-675-60	675,0-692,0	600	600	16	280	78,000	1	1

WRFA

Wide-Range Flanschadapter (EU-Stück)

Schrauben Edelstahl

Dichtung EPDM, DIN-EN 681-1 / KTW / UBA / DVGW-W270

PFA/PN Wasser = 16 bar

Artikel	d	DN	Flansch DN	Flansch PN	L	Gewicht [kg]	VE	PE
GB-14R9X351-30	351,0-368,0	300	300	10	345	32,800	1	4
GB-16R9X351-30	351,0-368,0	300	300	16	345	42,000	1	4
GB-14R9X374-35	374,5-391,5	350	350	10	180	38,100	1	2
GB-16R9X374-35	374,5-391,5	350	350	16	180	38,100	1	2
GB-14R9X394-35	394,3-411,3	350	350	10	180	37,900	1	1
GB-16R9X394-35	394,3-411,3	350	350	16	280	37,900	1	1
GB-14R9X404-40	404,8-421,8	400	400	10	180	36,000	1	1
GB-16R9X404-40	404,8-421,8	400	400	16	180	39,600	1	1
GB-14R9X425-40	425,0-442,0	400	400	10	180	35,500	1	1
GB-16R9X425-40	425,0-442,0	400	400	16	180	33,700	1	1
GB-14R9X447-40	447,2-464,2	400	400	10	280	48,000	1	1
GB-16R9X447-40	447,2-464,2	400	400	16	280	48,000	1	1
GB-14R9X455-40	455,0-472,0	400	400	10	280	41,100	1	1
GB-16R9X455-40	455,0-472,0	400	400	16	280	41,100	1	1
GB-14R9X501-45	501,9-518,9	450	450	10	280	53,700	1	1
GB-16R9X501-45	501,9-518,9	450	450	16	280	53,700	1	1
GB-14R9X501-50	501,9-518,9	500	500	10	180	53,700	1	1
GB-16R9X501-50	501,9-518,9	500	500	16	180	53,700	1	1
GB-14R9X510-50	510,0-527,0	500	500	10	180	50,000	1	1
GB-16R9X510-50	510,0-527,0	500	500	16	180	53,000	1	1
GB-14R9X527-50	527,0-544,0	500	500	10	180	50,500	1	1
GB-16R9X527-50	527,0-544,0	500	500	16	180	50,500	1	1
GB-14R9X540-50	540,1-557,1	500	500	10	280	50,500	1	1
GB-16R9X540-50	540,1-557,1	500	500	16	280	50,500	1	1
GB-14R9X555-50	555,3-572,3	500	500	10	280	62,000	1	1
GB-16R9X555-50	555,3-572,3	500	500	16	280	64,000	1	1
GB-14R9X566-50	566,5-583,5	500	500	10	345	62,200	1	1
GB-16R9X566-50	566,5-583,5	500	500	16	345	62,200	1	1
GB-14R9X582-50	582,2-599,2	500	500	10	345	54,200	1	1
GB-16R9X582-50	582,2-599,2	500	500	16	345	60,000	1	1
GB-14R9X601-60	601,0-618,0	600	600	10	180	63,000	1	1

WRFA

Wide-Range Flanschadapter (EU-Stück)

Artikel	d	DN	Flansch DN	Flansch PN	L	Gewicht [kg]	VE	PE
GB-16R9X601-60	601,0-618,0	600	600	16	180	65,500	1	1
GB-14R9X630-60	630,5-647,5	600	600	10	180	63,400	1	1
GB-16R9X630-60	630,5-647,5	600	600	16	180	66,100	1	1
GB-14R9X645-60	645,2-662,2	600	600	10	280	63,100	1	1
GB-16R9X645-60	645,2-662,2	600	600	16	280	63,700	1	1
GB-14R9X675-60	675,0-692,0	600	600	10	280	64,400	1	1
GB-16R9X675-60	675,0-692,0	600	600	16	280	78,000	1	1
GB-14R9X689-60	689,0-706,0	700	600	10	345	90,300	1	1
GB-16R9X689-60	689,0-706,0	700	600	16	345	90,300	1	1
GB-14R9X710-70	710,0-727,0	700	700	10	345	70,000	1	1
GB-16R9X710-70	710,0-727,0	700	700	16	345	66,500	1	1
GB-14R9X733-70	733,0-750,0	700	700	10	345	74,000	1	1
GB-16R9X733-70	733,0-750,0	700	700	16	345	90,300	1	1