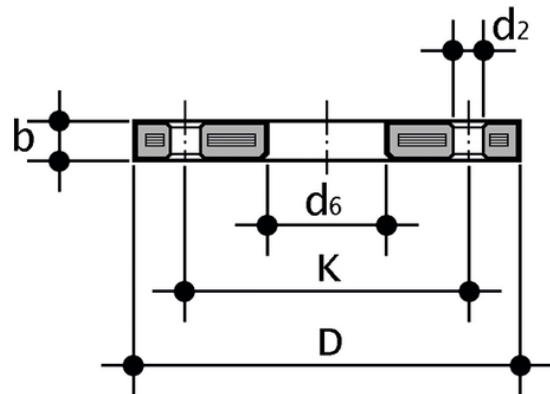


# OAB – Flansch der Serie ANSI

PP/FRP ANSI B16.5 cl.150 beschichteter Stahl-Flansch für QRNM- und QRAM-Manschetten.



Artikel	product.detail.attribute.[["d (inch)"]
OAB012	1\2\["]
OAB034	3\4\["]
OAB100	1\["]
OAB114	1\1\4\["],[["DN","32"],["b","16"],["D","130"],["d2 mm","16"],["d2 inch","5\8\["]]
OAB112	1\1\2\["],[["DN","40"],["b","18"],["D","133"],["d2 mm","16"],["d2 inch","5\8\["]]
OAB200	2\["]
OAB212	2\1\2\["],[["DN","65"],["b","18"],["D","184"],["d2 mm","20"],["d2 inch","3\4\["]]
OAB300	3\["]
OAB400	4\["]
OAB814	*14\["]
OAB816	*16\["]