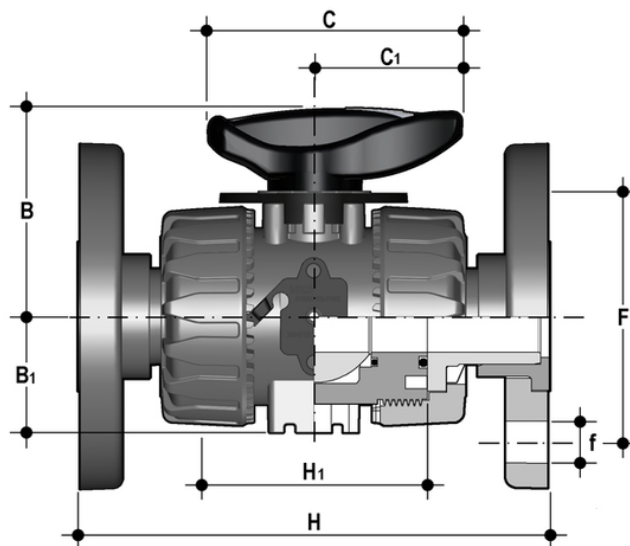


VKROM - DUAL BLOCK®- Regelkugelhahn DN 10:50

DUAL BLOCK®-Regelkugelhahn mit Festflanschen gebohrt EN/ISO/DIN PN10/16. Entleerung nach EN 558-1.



EPDM

| Artikel | d | DN | product.detail.attribute.PN | B | product.detail.attribute.B[5:1] | product.detail.attribute.C | product.detail.attribute.C[5:1] | product.detail.attribute.f |
|-----------|----|----|-----------------------------|------|---------------------------------|----------------------------|---------------------------------|----------------------------|
| VKROM020E | 20 | 15 | 10 | 54 | 29 | 67 | 40 | 65 |
| VKROM025E | - | - | - | - | - | - | - | - |
| VKROM032E | 32 | 25 | 10 | 69,5 | 39 | 85 | 49 | 85 |
| VKROM040E | 40 | 32 | 10 | 82,5 | 46 | 108 | 64 | 100 |
| VKROM050E | 50 | 40 | 10 | 89 | 52 | 108 | 64 | 110 |
| VKROM063E | 63 | 50 | 10 | 108 | 62 | 134 | 76 | 125 |

FKM

| Artikel | d | DN | product.detail.attribute.PN | B | product.detail.attribute.B[5:1] | product.detail.attribute.C | product.detail.attribute.C[5:1] | product.detail.attribute.f |
|-----------|----|----|-----------------------------|------|---------------------------------|----------------------------|---------------------------------|----------------------------|
| VKROM020F | 20 | 15 | 10 | 54 | 29 | 67 | 40 | 65 |
| VKROM025F | 25 | 20 | 10 | 65 | 34,5 | 85 | 49 | 75 |
| VKROM032F | 32 | 25 | 10 | 69,5 | 39 | 85 | 49 | 85 |
| VKROM040F | 40 | 32 | 10 | 82,5 | 46 | 108 | 64 | 100 |
| VKROM050F | 50 | 40 | 10 | 89 | 52 | 108 | 64 | 110 |
| VKROM063F | 63 | 50 | 10 | 108 | 62 | 134 | 76 | 125 |