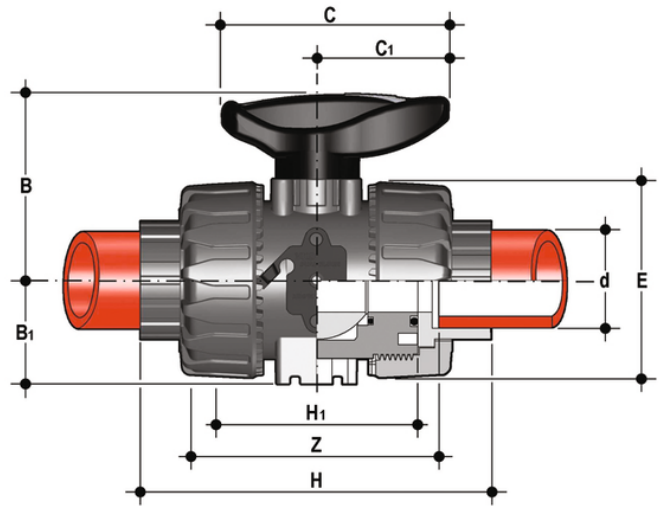


VKDIM - DUAL BLOCK® 2-Wege- Kugelhahn DN 10:50

DUAL BLOCK® Zwei-Wege-Kugelhahn mit Innengewinde zum Einschweißen, metrische Serie.



EPDM

Artikel	d	DN	product.detail.attribute.PN	B	product.detail.attribute.B[5:1]	product.detail.attribute.C	product.detail.attribute.C[5:1]	product.detail.attribute.H
VKDIM016E	16	10	10	54	29	67	40	54
VKDIM020E	20	15	10	54	29	67	40	54
VKDIM025E	25	20	10	65	34,5	85	49	65
VKDIM032E	32	25	10	69,5	39	85	49	73
VKDIM040E	40	32	10	82,5	46	108	64	86
VKDIM050E	50	40	10	89	52	108	64	98
VKDIM063E	63	50	10	108	62	134	76	122

EPDM

Artikel	d	DN	product.detail.attribute.PN	B	product.detail.attribute.B[5:1]	product.detail.attribute.C	product.detail.attribute.C[5:1]	product.detail.attribute.H
VKDIM016EOLF	16	10	10	54	29	67	40	54
VKDIM020EOLF	20	15	10	54	29	67	40	54
VKDIM025EOLF	25	20	10	65	34,5	85	49	65
VKDIM032EOLF	32	25	10	69,5	39	85	49	73
VKDIM040EOLF	40	32	10	82,5	46	108	64	86
VKDIM050EOLF	-	-	-	-	-	-	-	-
VKDIM063EOLF	63	50	10	108	62	134	76	122

VKDIM - DUAL BLOCK® 2-Wege- Kugelhahn DN 10:50

EPDM

Artikel	d	DN	product.detail.attribute.PN	B	product.detail.attribute.B[5:1]	product.detail.attribute.C	product.detail.attribute.C[5:1]	product.detail.attribute.C[5:1]
VKDIM016E0SF	16	10	10	54	29	67	40	54
VKDIM020E0SF	20	15	10	54	29	67	40	54
VKDIM025E0SF	25	20	10	65	34,5	85	49	65
VKDIM032E0SF	32	25	10	69,5	39	85	49	73
VKDIM040E0SF	40	32	10	82,5	46	108	64	86
VKDIM050E0SF	50	40	10	89	52	108	64	98
VKDIM063E0SF	63	50	10	108	62	134	76	122

FKM

Artikel	d	DN	product.detail.attribute.PN	B	product.detail.attribute.B[5:1]	product.detail.attribute.C	product.detail.attribute.C[5:1]	product.detail.attribute.C[5:1]
VKDIM016F	16	10	10	54	29	67	40	54
VKDIM020F	20	15	10	54	29	67	40	54
VKDIM025F	25	20	10	65	34,5	85	49	65
VKDIM032F	32	25	10	69,5	39	85	49	73
VKDIM040F	40	32	10	82,5	46	108	64	86
VKDIM050F	50	40	10	89	52	108	64	98
VKDIM063F	63	50	10	108	62	134	76	122

FKM

Artikel	d	DN	product.detail.attribute.PN	B	product.detail.attribute.B[5:1]	product.detail.attribute.C	product.detail.attribute.C[5:1]	product.detail.attribute.C[5:1]
VKDIM016FOLF	16	10	10	54	29	67	40	54
VKDIM020FOLF	20	15	10	54	29	67	40	54
VKDIM025FOLF	25	20	10	65	34,5	85	49	65
VKDIM032FOLF	32	25	10	69,5	39	85	49	73
VKDIM040FOLF	40	32	10	82,5	46	108	64	86
VKDIM050FOLF	50	40	10	89	52	108	64	98
VKDIM063FOLF	63	50	10	108	62	134	76	122

FKM

Artikel	product.detail.attribute.[["d"]	d	DN	product.detail.attribute.PN	B	product.detail.attribute.B[5:1]	product.detail.attribute.C	product.detail.attribute.C[5:1]
VKDIM016F0SF	16]	-	-	-	-	-	-	-
VKDIM020F0SF	-	20	15	10	54	29	67	40
VKDIM025F0SF	-	25	20	10	65	34,5	85	49

VKDIM - DUAL BLOCK® 2-Wege- Kugelhahn DN 10:50

Artikel	product.detail.attribute. ["d"]	d	DN	product.detail.attribute.PN	B	product.detail.attribute.B[5:1]	product.detail.attribute.C	product
VKDIM032FOSF	-	32	25	10	69,5	39	85	49
VKDIM040FOSF	-	40	32	10	82,5	46	108	64
VKDIM050FOSF	-	50	40	10	89	52	108	64
VKDIM063FOSF	-	63	50	10	108	62	134	76