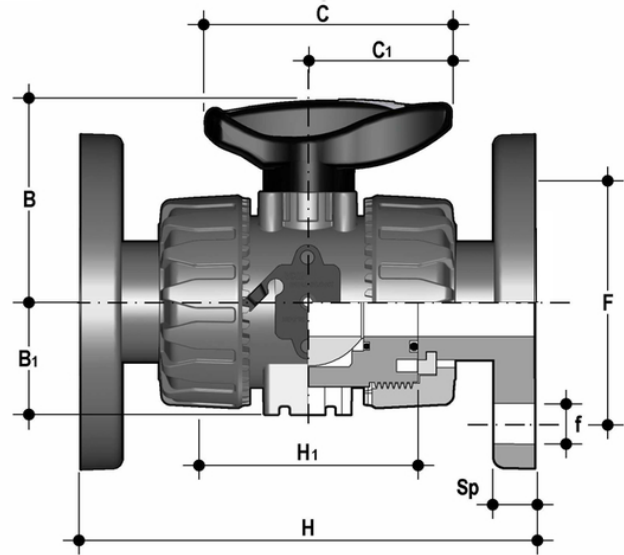


VKDOAF - DUAL BLOCK® 2-Wege-Kugelhahn DN 10:50

DUAL BLOCK® Zwei-Wege-Kugelhahn mit Festflanschen ANSI B16.5 cl.150 #FF.



| Artikel | d | DN | product.detail.attribute.PN | B | product.detail.attribute.B[5:1] | product.detail.attribute.C | product.detail.attribute |
|------------|-----------|----|-----------------------------|------|---------------------------------|----------------------------|--------------------------|
| VKDOAF012F | 1/2" | 15 | 16 | 54 | 29 | 67 | 40 |
| VKDOAF034F | 3/4" | 20 | 16 | 65 | 34,5 | 85 | 49 |
| VKDOAF100F | 1" | 25 | 16 | 69,5 | 39 | 85 | 49 |
| VKDOAF112F | 1" 1/2 | 40 | 16 | 89 | 52 | 108 | 64 |
| VKDOAF114F | 1" 1/4 | 32 | 16 | 82,5 | 46 | 108 | 64 |
| VKDOAF200F | 2" | 50 | 16 | 108 | 62 | 134 | 76 |