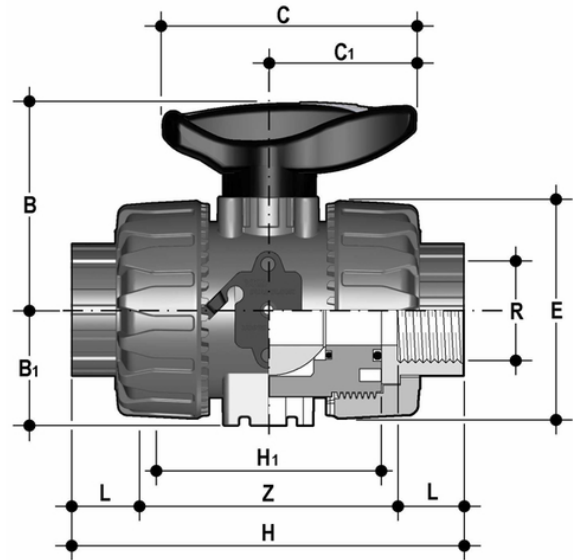


VKDFM - DUAL BLOCK® 2-Wege-Kugelhahn DN 10:50

DUAL BLOCK® Zwei-Wege-Kugelhahn mit Innengewinde, zylindrisches Gasgewinde.



EPDM

Artikel	R	DN	product.detail.attribute.PN	B	product.detail.attribute.B[5:1]	product.detail.attribute.C	product.detail.attribute.C[5:1]	product.detail.attribute.H
VKDFM012E	1/2"	15	10	54	29	67	40	54
VKDFM034E	3/4"	20	10	65	34,5	85	49	65
VKDFM100E	1"	25	10	69,5	39	85	49	73
VKDFM114E	1" 1/4	32	10	82,5	46	108	64	86
VKDFM112E	-	-	-	-	-	-	-	-
VKDFM200E	2"	50	10	108	62	134	76	122

FKM

Artikel	R	DN	product.detail.attribute.PN	B	product.detail.attribute.B[5:1]	product.detail.attribute.C	product.detail.attribute.C[5:1]	product.detail.attribute.H
VKDFM012F	1/2"	15	10	54	29	67	40	54
VKDFM034F	-	-	-	-	-	-	-	-
VKDFM100F	1"	25	10	69,5	39	85	49	73
VKDFM114F	1" 1/4	32	10	82,5	46	108	64	86
VKDFM112F	1" 1/2	40	10	89	52	108	64	98



VKDFM - DUAL BLOCK® 2-Wege- Kugelhahn DN 10:50

Artikel	R	DN	product.detail.attribute.PN	B	product.detail.attribute.B[5:1]	product.detail.attribute.C	product.detail.attribute.C[5:1]	pro
VKDFM200F	2"	50	10	108	62	134	76	122