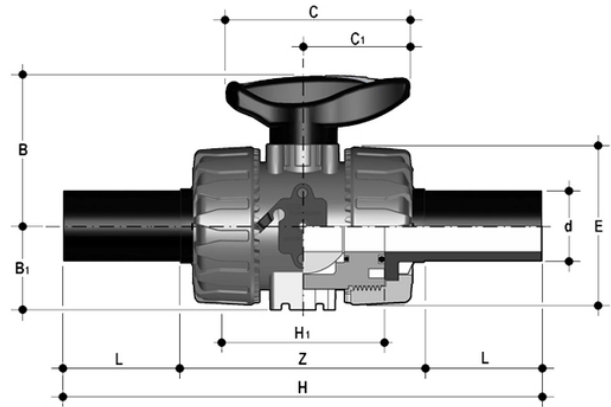


VKDBEM - DUAL BLOCK® 2-Wege-Kugelhahn DN 10:50

DUAL BLOCK® Zwei-Wege-Kugelhahn mit Außengewinde aus PE100 SDR 11 zum Stumpfschweißen oder Elektroschweißen (CVDE).



EPDM

| Artikel | d | DN | product.detail.attribute.PN | B | product.detail.attribute.B[5:1] | product.detail.attribute.C | product.detail.attribute.C[5:1] | pro |
|------------|----|----|-----------------------------|------|---------------------------------|----------------------------|---------------------------------|-----|
| VKDBEM020E | 20 | 15 | 10 | 54 | 29 | 67 | 40 | 54 |
| VKDBEM025E | 25 | 20 | 10 | 65 | 34,5 | 85 | 49 | 65 |
| VKDBEM032E | 32 | 25 | 10 | 69,5 | 39 | 85 | 49 | 73 |
| VKDBEM040E | 40 | 32 | 10 | 82,5 | 46 | 108 | 64 | 86 |
| VKDBEM050E | 50 | 40 | 10 | 89 | 52 | 108 | 64 | 98 |
| VKDBEM063E | 63 | 50 | 10 | 108 | 62 | 134 | 76 | 122 |

FKM

| Artikel | d | DN | product.detail.attribute.PN | B | product.detail.attribute.B[5:1] | product.detail.attribute.C | product.detail.attribute.C[5:1] | pro |
|------------|----|----|-----------------------------|------|---------------------------------|----------------------------|---------------------------------|-----|
| VKDBEM020F | 20 | 15 | 10 | 54 | 29 | 67 | 40 | 54 |
| VKDBEM025F | 25 | 20 | 10 | 65 | 34,5 | 85 | 49 | 65 |
| VKDBEM032F | 32 | 25 | 10 | 69,5 | 39 | 85 | 49 | 73 |
| VKDBEM040F | 40 | 32 | 10 | 82,5 | 46 | 108 | 64 | 86 |
| VKDBEM050F | 50 | 40 | 10 | 89 | 52 | 108 | 64 | 98 |
| VKDBEM063F | 63 | 50 | 10 | 108 | 62 | 134 | 76 | 122 |