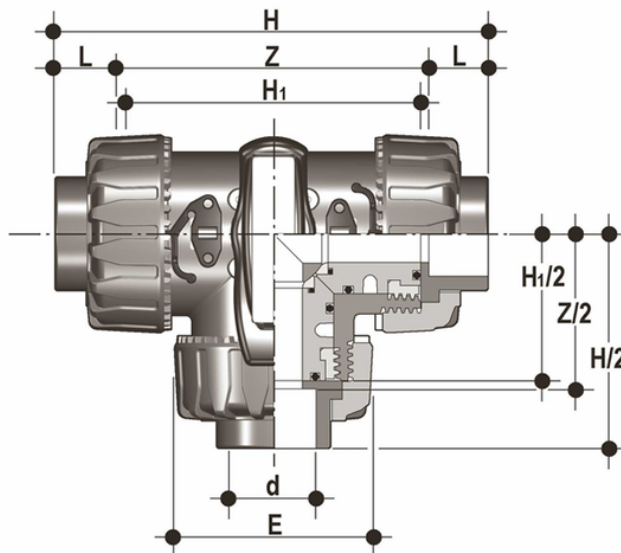


TKDLV - 3-Wege-Kugelhahn DUAL BLOCK® DN 10:50

DUAL BLOCK® Drei-Wege-Kugelhahn mit Innengewinde, Serie BS, T-Ball.



EPDM

Artikel	d	DN	product.detail.attribute.PN	product.detail.attribute.E	H	product.detail.attribute.H[5:1]	L	Z	g
TKDLV038E	3/8"	10	16	54	118	80	14.7	88.6	310
TKDLV012E	1/2"	15	16	54	118	80	17	85	310
TKDLV034E	3/4"	20	16	65	144.8	100	19	106.8	550
TKDLV100E	1"	25	16	73	160	110	22.5	115	790
TKDLV114E	1" 1/4	32	16	86	188.6	131	26	136.6	1275
TKDLV112E	1" 1/2	40	16	98	219.4	148	30.2	159	1660
TKDLV200E	2"	50	16	122	266.6	179	36.2	194.2	2800

FKM

Artikel	d	DN	product.detail.attribute.PN	product.detail.attribute.E	H	product.detail.attribute.H[5:1]	L	Z	g
TKDLV038F	3/8"	10	16	54	118	80	14.7	88.6	310
TKDLV012F	1/2"	15	16	54	118	80	17	85	310
TKDLV034F	3/4"	20	16	65	144.8	100	19	106.8	550
TKDLV100F	1"	25	16	73	160	110	22.5	115	790
TKDLV114F	1" 1/4	32	16	86	188.6	131	26	136.6	1275
TKDLV112F	1" 1/2	40	16	98	219.4	148	30.2	159	1660
TKDLV200F	2"	50	16	122	266.6	179	36.2	194.2	2800