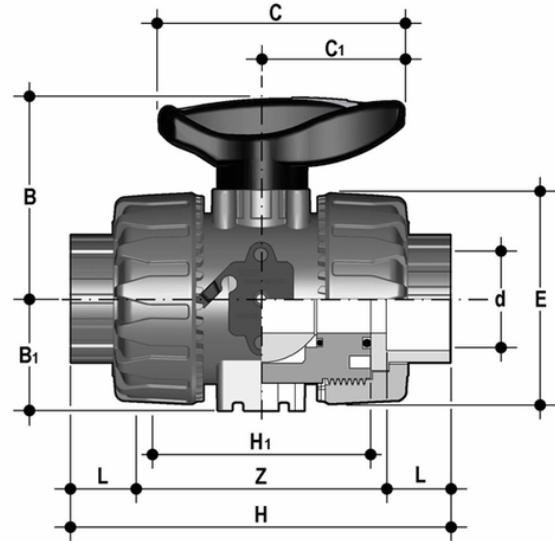


VKDIV - DUAL BLOCK® 2-Wege- Kugelhahn DN 10:50

DUAL BLOCK® Kugelhahn mit Innengewinde zum Kleben, metrische Serie.



EPDM

| Artikel | d | DN | product.detail.attribute.PN | B | product.detail.attribute.B[5:1] | product.detail.attribute.C | product.detail.attribute.C[5:1] | product.detail.attribute.L | product.detail.attribute.H |
|-----------|----|----|-----------------------------|------|---------------------------------|----------------------------|---------------------------------|----------------------------|----------------------------|
| VKDIV016E | 16 | 10 | 16 | 54 | 29 | 67 | 40 | 54 | 54 |
| VKDIV020E | 20 | 15 | 16 | 54 | 29 | 67 | 40 | 54 | 54 |
| VKDIV025E | 25 | 20 | 16 | 65 | 34,5 | 85 | 49 | 65 | 65 |
| VKDIV032E | 32 | 25 | 16 | 69,5 | 39 | 85 | 49 | 73 | 73 |
| VKDIV040E | 40 | 32 | 16 | 82,5 | 46 | 108 | 64 | 86 | 86 |
| VKDIV050E | 50 | 40 | 16 | 89 | 52 | 108 | 64 | 98 | 98 |
| VKDIV063E | 63 | 50 | 16 | 108 | 62 | 134 | 76 | 122 | 122 |

EPDM

| Artikel | d | DN | product.detail.attribute.PN | B | product.detail.attribute.B[5:1] | product.detail.attribute.C | product.detail.attribute.C[5:1] | product.detail.attribute.L | product.detail.attribute.H |
|--------------|----|----|-----------------------------|------|---------------------------------|----------------------------|---------------------------------|----------------------------|----------------------------|
| VKDIV016EOLF | 16 | 10 | 16 | 54 | 29 | 67 | 40 | 54 | 54 |
| VKDIV020EOLF | 20 | 15 | 16 | 54 | 29 | 67 | 40 | 54 | 54 |
| VKDIV025EOLF | 25 | 20 | 16 | 65 | 34,5 | 85 | 49 | 65 | 65 |
| VKDIV032EOLF | 32 | 25 | 16 | 69,5 | 39 | 85 | 49 | 73 | 73 |
| VKDIV040EOLF | 40 | 32 | 16 | 82,5 | 46 | 108 | 64 | 86 | 86 |
| VKDIV050EOLF | 50 | 40 | 16 | 89 | 52 | 108 | 64 | 98 | 98 |
| VKDIV063EOLF | 63 | 50 | 16 | 108 | 62 | 134 | 76 | 122 | 122 |

VKDIV - DUAL BLOCK® 2-Wege- Kugelhahn DN 10:50

EPDM

| Artikel | d | DN | product.detail.attribute.PN | B | product.detail.attribute.B[5:1] | product.detail.attribute.C | product.detail.attribute.C[5:1] | pr |
|--------------|----|----|-----------------------------|------|---------------------------------|----------------------------|---------------------------------|-----|
| VKDIV016E0SF | 16 | 10 | 16 | 54 | 29 | 67 | 40 | 54 |
| VKDIV020E0SF | 20 | 15 | 16 | 54 | 29 | 67 | 40 | 54 |
| VKDIV025E0SF | 25 | 20 | 16 | 65 | 34,5 | 85 | 49 | 65 |
| VKDIV032E0SF | 32 | 25 | 16 | 69,5 | 39 | 85 | 49 | 73 |
| VKDIV040E0SF | 40 | 32 | 16 | 82,5 | 46 | 108 | 64 | 86 |
| VKDIV050E0SF | 50 | 40 | 16 | 89 | 52 | 108 | 64 | 98 |
| VKDIV063E0SF | 63 | 50 | 16 | 108 | 62 | 134 | 76 | 122 |

FKM

| Artikel | d | DN | product.detail.attribute.PN | B | product.detail.attribute.B[5:1] | product.detail.attribute.C | product.detail.attribute.C[5:1] | pr |
|-----------|----|----|-----------------------------|------|---------------------------------|----------------------------|---------------------------------|-----|
| VKDIV016F | 16 | 10 | 16 | 54 | 29 | 67 | 40 | 54 |
| VKDIV020F | 20 | 15 | 16 | 54 | 29 | 67 | 40 | 54 |
| VKDIV025F | - | - | - | - | - | - | - | - |
| VKDIV032F | 32 | 25 | 16 | 69,5 | 39 | 85 | 49 | 73 |
| VKDIV040F | 40 | 32 | 16 | 82,5 | 46 | 108 | 64 | 86 |
| VKDIV050F | 50 | 40 | 16 | 89 | 52 | 108 | 64 | 98 |
| VKDIV063F | 63 | 50 | 16 | 108 | 62 | 134 | 76 | 122 |

FKM

| Artikel | d | DN | product.detail.attribute.PN | B | product.detail.attribute.B[5:1] | product.detail.attribute.C | product.detail.attribute.C[5:1] | pr |
|--------------|----|----|-----------------------------|------|---------------------------------|----------------------------|---------------------------------|-----|
| VKDIV016FOLF | 16 | 10 | 16 | 54 | 29 | 67 | 40 | 54 |
| VKDIV020FOLF | 20 | 15 | 16 | 54 | 29 | 67 | 40 | 54 |
| VKDIV025FOLF | 25 | 20 | 16 | 65 | 34,5 | 85 | 49 | 65 |
| VKDIV032FOLF | 32 | 25 | 16 | 69,5 | 39 | 85 | 49 | 73 |
| VKDIV040FOLF | 40 | 32 | 16 | 82,5 | 46 | 108 | 64 | 86 |
| VKDIV050FOLF | 50 | 40 | 16 | 89 | 52 | 108 | 64 | 98 |
| VKDIV063FOLF | 63 | 50 | 16 | 108 | 62 | 134 | 76 | 122 |

FKM

| Artikel | d | DN | product.detail.attribute.PN | B | product.detail.attribute.B[5:1] | product.detail.attribute.C | product.detail.attribute.C[5:1] | pr |
|--------------|----|----|-----------------------------|----|---------------------------------|----------------------------|---------------------------------|----|
| VKDIV016F0SF | 16 | 10 | 16 | 54 | 29 | 67 | 40 | 54 |
| VKDIV020F0SF | 20 | 15 | 16 | 54 | 29 | 67 | 40 | 54 |
| VKDIV025F0SF | 25 | 20 | 16 | 65 | 34,5 | 85 | 49 | 65 |



VKDIV - DUAL BLOCK® 2-Wege- Kugelhahn DN 10:50

| Artikel | d | DN | product.detail.attribute.PN | B | product.detail.attribute.B[5:1] | product.detail.attribute.C | product.detail.attribute.C[5:1] | pr |
|--------------|----|----|-----------------------------|------|---------------------------------|----------------------------|---------------------------------|----|
| VKDIV032FOSF | 32 | 25 | 16 | 69,5 | 39 | 85 | 49 | 73 |
| VKDIV040FOSF | 40 | 32 | 16 | 82,5 | 46 | 108 | 64 | 86 |
| VKDIV050FOSF | 50 | 40 | 16 | 89 | 52 | 108 | 64 | 98 |
| VKDIV063FOSF | 63 | 50 | 16 | 108 | 62 | 134 | 76 | 12 |