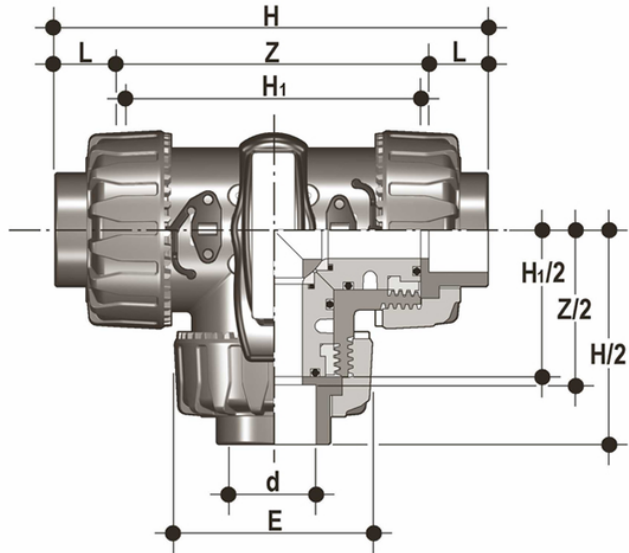


LKDLV - DUAL BLOCK® 3-Wege- Kugelhahn DN 10:50

DUAL BLOCK® Dreiwege-Kugelhahn mit Innengewinde, Serie BS, L-Kugel.



EPDM

Artikel	d	DN	product.detail.attribute.PN	product.detail.attribute.E	H	product.detail.attribute.H[5:1]	L	Z	g
LKDLV038E	3/8"	10	16	54	118	80	14.7	88.6	310
LKDLV012E	1/2"	15	16	54	118	80	17	85	310
LKDLV034E	3/4"	20	16	65	144.8	100	19	106.8	550
LKDLV100E	1"	25	16	73	160	110	22.5	115	790
LKDLV114E	1" 1/4	32	16	86	188.6	131	26	136.6	1275
LKDLV112E	1" 1/2	40	16	98	219.4	148	30.2	159	1660
LKDLV200E	2"	50	16	122	266.6	179	36.2	194.2	2800

FKM

Artikel	d	DN	product.detail.attribute.PN	product.detail.attribute.E	H	product.detail.attribute.H[5:1]	L	Z	g
LKDLV038F	3/8"	10	16	54	118	80	14.7	88.6	310
LKDLV012F	1/2"	15	16	54	118	80	17	85	310
LKDLV034F	3/4"	20	16	65	144.8	100	19	106.8	550
LKDLV100F	1"	25	16	73	160	110	22.5	115	790
LKDLV114F	1" 1/4	32	16	86	188.6	131	26	136.6	1275
LKDLV112F	1" 1/2	40	16	98	219.4	148	30.2	159	1660
LKDLV200F	2"	50	16	122	266.6	179	36.2	194.2	2800