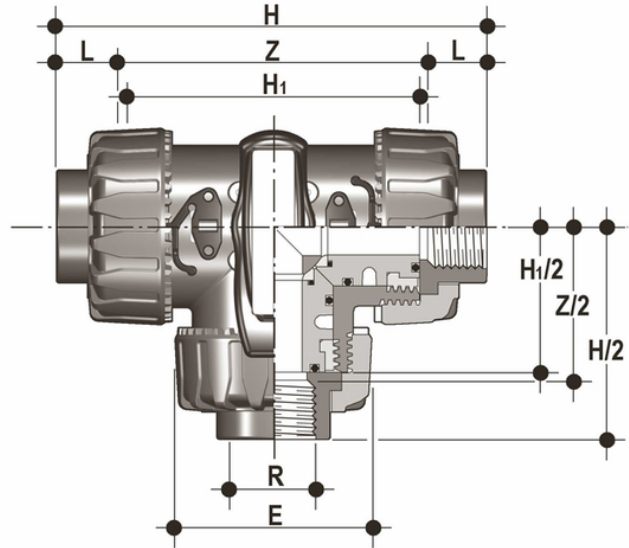


TKDFV - DUAL BLOCK® 3-Wege- Kugelhahn DN 10:50

DUAL BLOCK® Dreiwegeventil mit Innengewinde zylindrische Gaskugel mit T-Gewinde.



EPDM

Artikel	R	DN	product.detail.attribute.PN	product.detail.attribute.E	H	product.detail.attribute.H[5:1]	L	Z	g	product.detail.attribute.R
TKDFV038E	3/8"	10	16	54	118	80	11.4	95	310	-
TKDFV012E	1/2"	15	16	54	125	80	15	95	310	-
TKDFV034E	3/4"	20	16	65	146	100	16.3	114	550	-
TKDFV100E	1"	25	16	73	166	110	19.1	129	790	-
TKDFV114E	-	-	-	-	-	-	-	-	-	1\201d 1\4]
TKDFV112E	1" 1/2	40	16	98	211	148	21.4	166	1660	-
TKDFV200E	2"	50	16	122	253.5	179	25.7	199	2800	-

FKM

Artikel	R	DN	product.detail.attribute.PN	product.detail.attribute.E	H	product.detail.attribute.H[5:1]	L	Z	g
TKDFV038F	3/8"	10	16	54	118	80	11.4	95	310
TKDFV012F	1/2"	15	16	54	125	80	15	95	310
TKDFV034F	3/4"	20	16	65	146	100	16.3	114	550
TKDFV100F	1"	25	16	73	166	110	19.1	129	790
TKDFV114F	1" 1/4	32	16	86	195.5	131	21.4	151	1275
TKDFV112F	1" 1/2	40	16	98	211	148	21.4	166	1660



TKDFV - DUAL BLOCK® 3-Wege- Kugelhahn DN 10:50

Artikel	R	DN	product.detail.attribute.PN	product.detail.attribute.E	H	product.detail.attribute.H[5:1]	L	Z	g
TKDFV200F	2"	50	16	122	253.5	179	25.7	199	2800