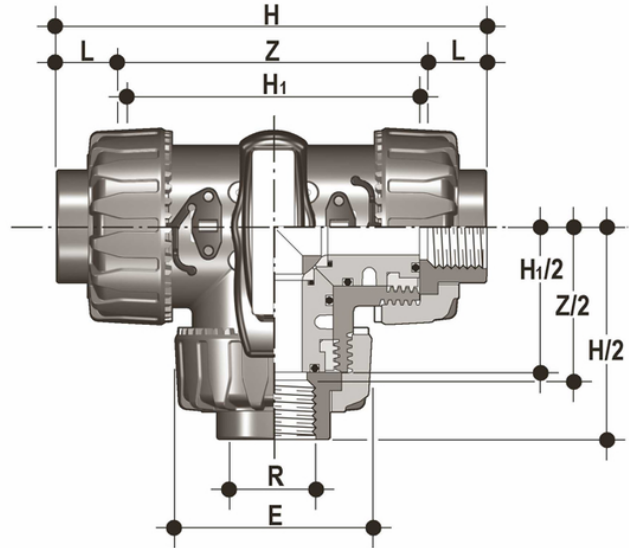


LKDFV - DUAL BLOCK® 3-Wege- Kugelhahn DN 10:50

DUAL BLOCK® Dreiwegeventil mit L-förmigen zylindrischen Gas-Kugelgewinde-Innenanschlüssen.



EPDM

Artikel	R	DN	product.detail.attribute.PN	product.detail.attribute.E	H	product.detail.attribute.H[5:1]	L	Z	g	product.detail.attribute.R
LKDFV038E	3/8"	10	16	54	118	80	11.4	95	310	-
LKDFV012E	-	-	-	-	-	-	-	-	-	1\sqrt{2}\u201d]
LKDFV034E	3/4"	20	16	65	146	100	16.3	114	550	-
LKDFV100E	1"	25	16	73	166	110	19.1	129	790	-
LKDFV114E	1" 1/4	32	16	86	195.5	131	21.4	151	1275	-
LKDFV112E	1" 1/2	40	16	98	211	148	21.4	166	1660	-
LKDFV200E	2"	50	16	122	253.5	179	25.7	199	2800	-

FKM

Artikel	R	DN	product.detail.attribute.PN	product.detail.attribute.E	H	product.detail.attribute.H[5:1]	L	Z	g
LKDFV038F	3/8"	10	16	54	118	80	11.4	95	310
LKDFV012F	1/2"	15	16	54	125	80	15	95	310
LKDFV034F	3/4"	20	16	65	146	100	16.3	114	550
LKDFV100F	1"	25	16	73	166	110	19.1	129	790
LKDFV114F	1" 1/4	32	16	86	195.5	131	21.4	151	1275



LKDFV - DUAL BLOCK® 3-Wege- Kugelhahn DN 10:50

Artikel	R	DN	product.detail.attribute.PN	product.detail.attribute.E	H	product.detail.attribute.H[5:1]	L	Z	g
LKDFV112F	1" 1/2	40	16	98	211	148	21.4	166	1660
LKDFV200F	2"	50	16	122	253.5	179	25.7	199	2800