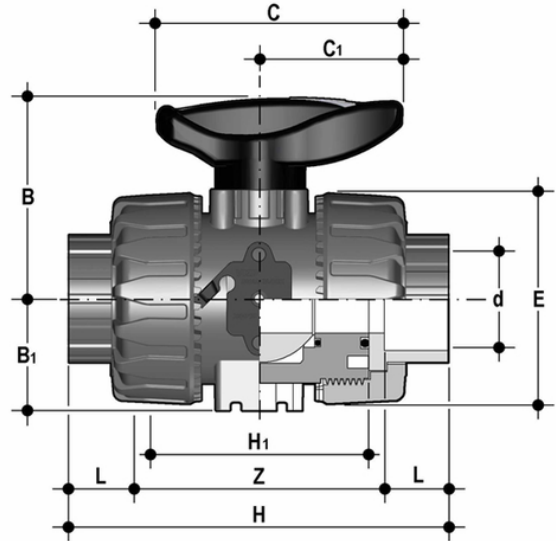


# VKDLV - DUAL BLOCK® 2-Wege-Kugelhahn DN 10:50

DUAL BLOCK®-Kugelhahn mit Innengewinde zum Kleben, Serie BS.



## EPDM

Artikel	d	DN	product.detail.attribute.PN	B	product.detail.attribute.B[5:1]	product.detail.attribute.C	product.detail.attribute.C[5:1]	pro
VKDLV038E	3/8"	10	16	54	29	67	40	54
VKDLV012E	1/2"	15	16	54	29	67	40	54
VKDLV034E	3/4"	20	16	65	34,5	85	49	65
VKDLV100E	1"	25	16	69,5	39	85	49	73
VKDLV114E	1" 1/4	32	16	82,5	46	108	64	86
VKDLV112E	1" 1/2	40	16	89	52	108	64	98
VKDLV200E	-	-	-	-	-	-	-	-

## FKM

Artikel	d	DN	product.detail.attribute.PN	B	product.detail.attribute.B[5:1]	product.detail.attribute.C	product.detail.attribute.C[5:1]	pro
VKDLV038F	3/8"	10	16	54	29	67	40	54
VKDLV012F	1/2"	15	16	54	29	67	40	54
VKDLV034F	3/4"	20	16	65	34,5	85	49	65
VKDLV100F	1"	25	16	69,5	39	85	49	73
VKDLV114F	1" 1/4	32	16	82,5	46	108	64	86



# VKDLV - DUAL BLOCK® 2-Wege- Kugelhahn DN 10:50

Artikel	d	DN	product.detail.attribute.PN	B	product.detail.attribute.B[5:1]	product.detail.attribute.C	product.detail.attribute.C[5:1]	pro
VKDLV112F	1" 1/2	40	16	89	52	108	64	98
VKDLV200F	2"	50	16	108	62	134	76	122