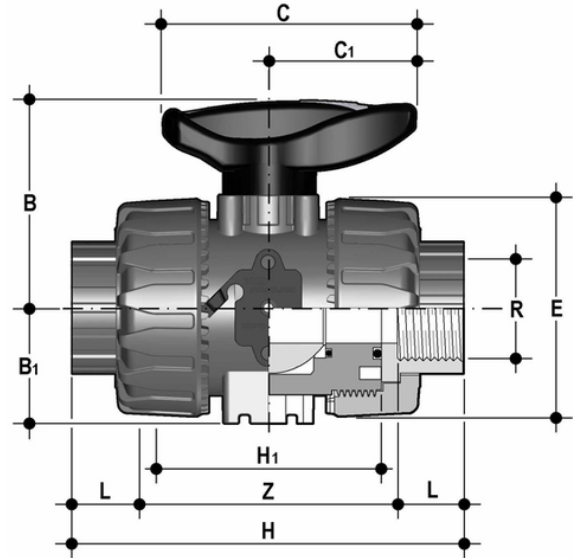


VKDFV - DUAL BLOCK® 2-Wege-Kugelhahn DN 10:50

DUAL BLOCK®-Kugelhahn mit Innengewinde, zylindrisches Gasgewinde.



EPDM

Artikel	R	DN	product.detail.attribute.PN	B	product.detail.attribute.B[5:1]	product.detail.attribute.C	product.detail.attribute.C[5:1]	pro
VKDFV038E	3/8"	10	16	54	29	67	40	54
VKDFV012E	1/2"	15	16	54	29	67	40	54
VKDFV034E	3/4"	20	16	65	34,5	85	49	65
VKDFV100E	1"	25	16	69,5	39	85	49	73
VKDFV114E	1" 1/4	32	16	82,5	46	108	64	86
VKDFV112E	1" 1/2	40	16	89	52	108	64	98
VKDFV200E	2"	50	16	108	62	134	76	122

FKM

Artikel	R	DN	product.detail.attribute.PN	B	product.detail.attribute.B[5:1]	product.detail.attribute.C	product.detail.attribute.C[5:1]	pro
VKDFV038F	3/8"	10	16	54	29	67	40	54
VKDFV012F	-	-	-	-	-	-	-	-
VKDFV034F	3/4"	20	16	65	34,5	85	49	65
VKDFV100F	1"	25	16	69,5	39	85	49	73
VKDFV114F	1" 1/4	32	16	82,5	46	108	64	86



VKDFV - DUAL BLOCK® 2-Wege- Kugelhahn DN 10:50

Artikel	R	DN	product.detail.attribute.PN	B	product.detail.attribute.B[5:1]	product.detail.attribute.C	product.detail.attribute.C[5:1]	pro
VKDFV112F	-	-	-	-	-	-	-	-
VKDFV200F	2"	50	16	108	62	134	76	122