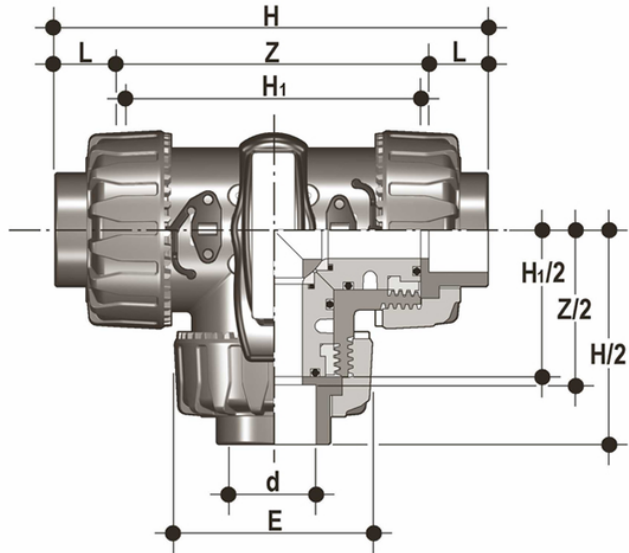


LKDAV - 3-Wege-Kugelhahn DUAL BLOCK® DN 10:50

DUAL BLOCK® Drei-Wege-Kugelhahn mit Innengewinde, Serie ASTM, L-Kugel.



EPDM

Artikel	d	DN	product.detail.attribute.PN	product.detail.attribute.E	H	product.detail.attribute.H[5:1]	L	Z	g	product.detail.[["d"]]
LKDAV038E	3/8"	10	16	54	132,2	80	19.5	93.2	310	-
LKDAV012E	-	-	-	-	-	-	-	-	-	1\2\u201d]
LKDAV034E	3/4"	20	16	65	159,2	100	25.5	108.2	550	-
LKDAV100E	1"	25	16	73	174	110	28.7	116.6	790	-
LKDAV114E	1" 1/4	32	16	86	205	131	32	141	1275	-
LKDAV112E	1" 1/2	40	16	98	227.6	148	35	157.6	1660	-
LKDAV200E	2"	50	16	122	267	179	38,2	190.6	2800	-

FKM

Artikel	d	DN	product.detail.attribute.PN	product.detail.attribute.E	H	product.detail.attribute.H[5:1]	L	Z	g	product.detail.[["d"]]
LKDAV038F	3/8"	10	16	54	132,2	80	19.5	93.2	310	-
LKDAV012F	1/2"	15	16	54	132,2	80	23	87,2	310	-
LKDAV034F	3/4"	20	16	65	159,2	100	25.5	108.2	550	-
LKDAV100F	-	-	-	-	-	-	-	-	-	1\u201d]

LKDAV - 3-Wege-Kugelhahn

DUAL BLOCK® DN 10:50

Artikel	d	DN	product.detail.attribute.PN	product.detail.attribute.E	H	product.detail.attribute.H[5:1]	L	Z	g	product.detail.[["d"]]
LKDAV114F	1" 1/4	32	16	86	205	131	32	141	1275	-
LKDAV112F	1" 1/2	40	16	98	227.6	148	35	157.6	1660	-
LKDAV200F	2"	50	16	122	267	179	38,2	190.6	2800	-