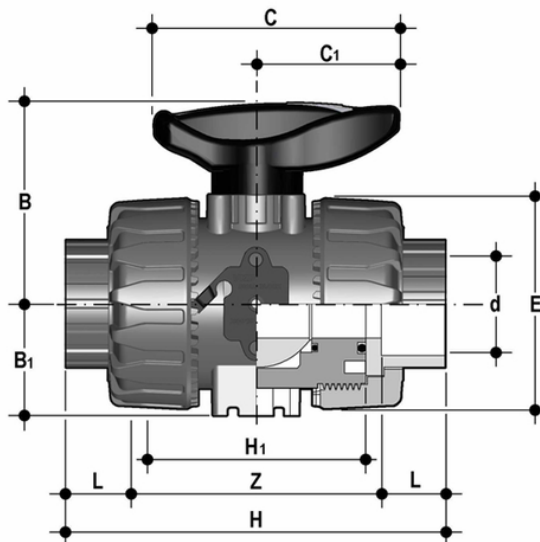


VKDAV - DUAL BLOCK® 2-Wege-Kugelhahn DN 10:50

Dual Block® Kugelhahn mit Innengewinde zum Verkleben, Serie ASTM.



EPDM

| Artikel | d | DN | product.detail.attribute.PN | B | product.detail.attribute.B[5:1] | product.detail.attribute.C | product.detail.attribute.C[5:1] | pro |
|-----------|-----------|----|-----------------------------|------|---------------------------------|----------------------------|---------------------------------|-----|
| VKDAV038E | 3/8" | 10 | 16 | 54 | 29 | 67 | 40 | 54 |
| VKDAV012E | 1/2" | 15 | 16 | 54 | 29 | 67 | 40 | 54 |
| VKDAV034E | 3/4" | 20 | 16 | 65 | 34,5 | 85 | 49 | 65 |
| VKDAV100E | 1" | 25 | 16 | 69,5 | 39 | 85 | 49 | 73 |
| VKDAV114E | 1" 1/4 | 32 | 16 | 82,5 | 46 | 108 | 64 | 86 |
| VKDAV112E | 1" 1/2 | 40 | 16 | 89 | 52 | 108 | 64 | 98 |
| VKDAV200E | 2" | 50 | 16 | 108 | 62 | 134 | 76 | 122 |

FKM

| Artikel | d | DN | product.detail.attribute.PN | B | product.detail.attribute.B[5:1] | product.detail.attribute.C | product.detail.attribute.C[5:1] | pro |
|-----------|-----------|----|-----------------------------|------|---------------------------------|----------------------------|---------------------------------|-----|
| VKDAV038F | 3/8" | 10 | 16 | 54 | 29 | 67 | 40 | 54 |
| VKDAV012F | 1/2" | 15 | 16 | 54 | 29 | 67 | 40 | 54 |
| VKDAV034F | 3/4" | 20 | 16 | 65 | 34,5 | 85 | 49 | 65 |
| VKDAV100F | 1" | 25 | 16 | 69,5 | 39 | 85 | 49 | 73 |
| VKDAV114F | 1" 1/4 | 32 | 16 | 82,5 | 46 | 108 | 64 | 86 |



VKDAV - DUAL BLOCK® 2-Wege- Kugelhahn DN 10:50

| Artikel | d | DN | product.detail.attribute.PN | B | product.detail.attribute.B[5:1] | product.detail.attribute.C | product.detail.attribute.C[5:1] | pro |
|-----------|----|----|-----------------------------|-----|---------------------------------|----------------------------|---------------------------------|-----|
| VKDAV112F | - | - | - | - | - | - | - | - |
| VKDAV200F | 2" | 50 | 16 | 108 | 62 | 134 | 76 | 122 |