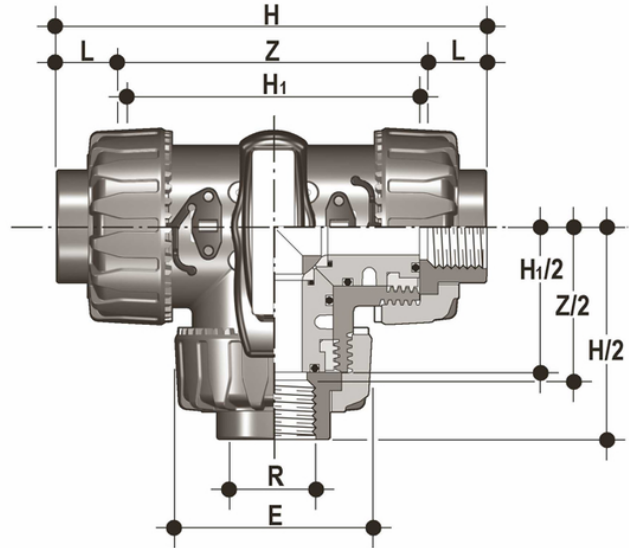


# TKDNC - DUAL BLOCK® 3-Wege-Kugelhahn DN 10:50

DUAL BLOCK® Dreiwegeventil mit NPT-Innengewinde, T-Kugel.



## EPDM

Artikel	R	DN	product.detail.attribute.PN	product.detail.attribute.E	H	product.detail.attribute.H[5:1]	L	Z	g
TKDNC012E	1/2"	15	16	54	126	80	18	90.4	310
TKDNC034E	3/4"	20	16	65	146.4	100	18	110.4	550
TKDNC100E	1"	25	16	73	166.6	110	22.6	121.4	790
TKDNC114E	1" 1/4	32	16	86	195.8	131	25.1	145.6	1275
TKDNC112E	1" 1/2	40	16	98	211.4	148	24.7	162	1660
TKDNC200E	2"	50	16	122	253.8	179	29.6	194.6	2800

## FKM

Artikel	R	DN	product.detail.attribute.PN	product.detail.attribute.E	H	product.detail.attribute.H[5:1]	L	Z	g	product.detail[["R"]]
TKDNC012F	1/2"	15	16	54	126	80	18	90.4	310	-
TKDNC034F	3/4"	20	16	65	146.4	100	18	110.4	550	-
TKDNC100F	1"	25	16	73	166.6	110	22.6	121.4	790	-
TKDNC114F	-	-	-	-	-	-	-	-	-	1\ u201d 1\ /4]
TKDNC112F	1" 1/2	40	16	98	211.4	148	24.7	162	1660	-
TKDNC200F	2"	50	16	122	253.8	179	29.6	194.6	2800	-