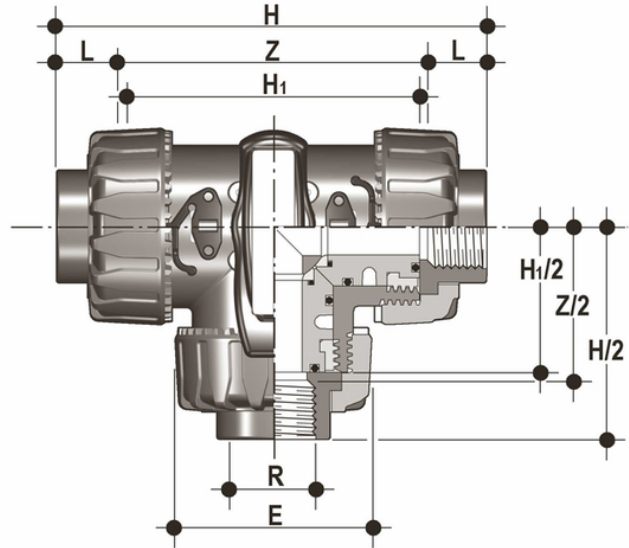


LKDNC - DUAL BLOCK® 3-Wege- Kugelhahn DN 10:50

DUAL BLOCK® Dreiwegeventil mit NPT-Innengewinde, L-Kugel.



EPDM

Artikel	R	DN	product.detail.attribute.PN	product.detail.attribute.E	H	product.detail.attribute.H[5:1]	L	Z	g	product.detail["R"]
LKDNC012E	1/2"	15	16	54	126	80	18	90.4	310	-
LKDNC034E	3/4"	20	16	65	146.4	100	18	110.4	550	-
LKDNC100E	-	-	-	-	-	-	-	-	-	1\u201d]
LKDNC114E	1" 1/4	32	16	86	195.8	131	25.1	145.6	1275	-
LKDNC112E	1" 1/2	40	16	98	211.4	148	24.7	162	1660	-
LKDNC200E	2"	50	16	122	253.8	179	29.6	194.6	2800	-

FKM

Artikel	R	DN	product.detail.attribute.PN	product.detail.attribute.E	H	product.detail.attribute.H[5:1]	L	Z	g
LKDNC012F	1/2"	15	16	54	126	80	18	90.4	310
LKDNC034F	3/4"	20	16	65	146.4	100	18	110.4	550
LKDNC100F	1"	25	16	73	166.6	110	22.6	121.4	790
LKDNC114F	1" 1/4	32	16	86	195.8	131	25.1	145.6	1275
LKDNC112F	1" 1/2	40	16	98	211.4	148	24.7	162	1660
LKDNC200F	2"	50	16	122	253.8	179	29.6	194.6	2800