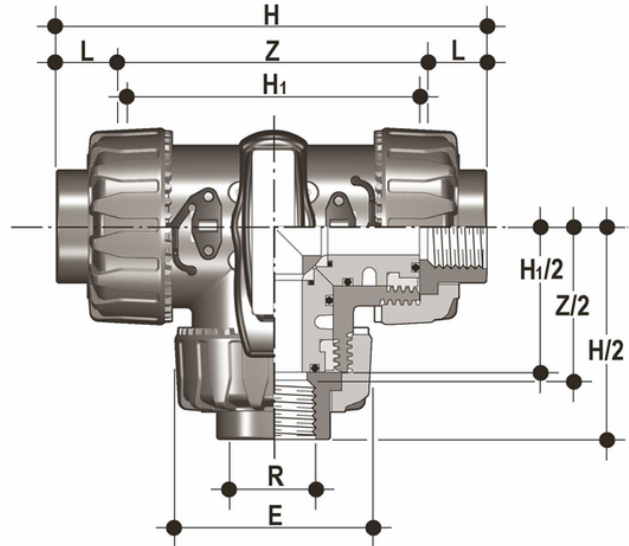


TKDNV - 3-Wege-Kugelhahn DUAL BLOCK® DN 10:50

DUAL BLOCK® Drei-Wege-Kugelhahn mit Innengewinde, NPT-Gewinde, T-Kugel.



EPDM

Artikel	product.detail.attribute. ["R"]	R	DN	product.detail.attribute.PN	product.detail.attribute.E	H	product.detail.attribute.H[5:1]	L	Z
TKDNV038E	3/8" [201d]	-	-	-	-	-	-	-	-
TKDNV012E	-	1/2"	15	16	54	126	80	18	90
TKDNV034E	-	3/4"	20	16	65	146.4	100	18	110
TKDNV100E	-	1"	25	16	73	166.6	110	22.6	121.4
TKDNV114E	-	1" 1/4	32	16	86	195.8	131	25.1	145.6
TKDNV112E	-	1" 1/2	40	16	98	211.4	148	24.7	162.7
TKDNV200E	-	2"	50	16	122	253.8	179	29.6	195.6

FKM

Artikel	R	DN	product.detail.attribute.PN	product.detail.attribute.E	H	product.detail.attribute.H[5:1]	L	Z	g
TKDNV038F	3/8"	10	16	54	118	80	13.7	90.6	310
TKDNV012F	1/2"	15	16	54	126	80	18	90.4	310
TKDNV034F	3/4"	20	16	65	146.4	100	18	110.4	550
TKDNV100F	1"	25	16	73	166.6	110	22.6	121.4	790
TKDNV114F	1" 1/4	32	16	86	195.8	131	25.1	145.6	1275



TKDNV - 3-Wege-Kugelhahn DUAL BLOCK® DN 10:50

Artikel	R	DN	product.detail.attribute.PN	product.detail.attribute.E	H	product.detail.attribute.H[5:1]	L	Z	g
TKDNV112F	1" 1/2	40	16	98	211.4	148	24.7	162	1660
TKDNV200F	2"	50	16	122	253.8	179	29.6	194.6	2800