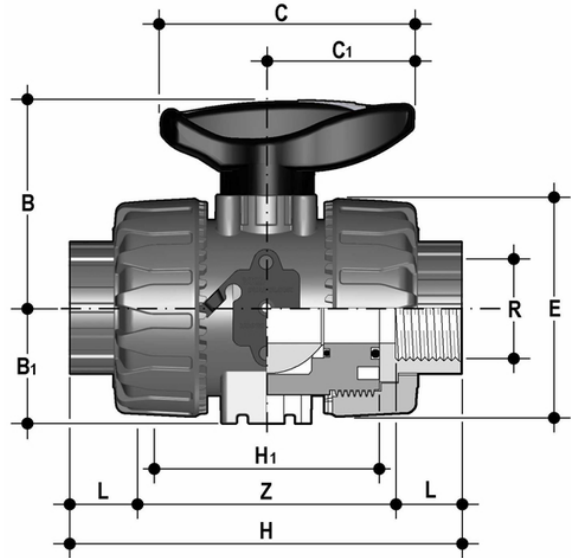


VKDFC - Zwei-Wege-Kugelhahn DUAL BLOCK® DN 10:50

DUAL BLOCK® Zwei-Wege-Kugelhahn mit Innengewinde, zylindrisches Gasgewinde.



EPDM

Artikel	R	DN	product.detail.attribute.PN	B	product.detail.attribute.B[5:1]	product.detail.attribute.C	product.detail.attribute.C[5:1]	product.detail.attribute.L	product.detail.attribute.L[5:1]
VKDFC012E	1/2"	15	16	54	29	67	40	54	29
VKDFC034E	3/4"	20	16	65	34,5	85	49	65	34,5
VKDFC100E	1"	25	16	69,5	39	85	49	73	39
VKDFC114E	1" 1/4	32	16	82,5	46	108	64	86	46
VKDFC112E	1" 1/2	40	16	89	52	108	64	98	52
VKDFC200E	2"	50	16	108	62	134	76	122	62

FKM

Artikel	R	DN	product.detail.attribute.PN	B	product.detail.attribute.B[5:1]	product.detail.attribute.C	product.detail.attribute.C[5:1]	product.detail.attribute.L	product.detail.attribute.L[5:1]
VKDFC012F	1/2"	15	16	54	29	67	40	54	29
VKDFC034F	3/4"	20	16	65	34,5	85	49	65	34,5
VKDFC100F	1"	25	16	69,5	39	85	49	73	39
VKDFC114F	1" 1/4	32	16	82,5	46	108	64	86	46
VKDFC112F	1" 1/2	40	16	89	52	108	64	98	52
VKDFC200F	2"	50	16	108	62	134	76	122	62