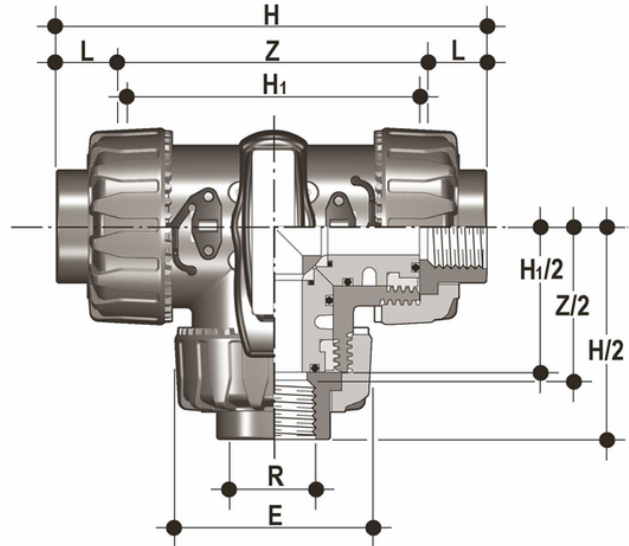


# LKDNV - 3-Wege-Kugelhahn DUAL BLOCK® DN 10:50

DUAL BLOCK® Drei-Wege-Kugelhahn mit Innengewinde, NPT-Gewinde, L-Kugel.



## EPDM

Artikel	R	DN	product.detail.attribute.PN	product.detail.attribute.E	H	product.detail.attribute.H[5:1]	L	Z	g	product.detail.[["R"]]
LKDNV038E	3/8"	10	16	54	118	80	13.7	90.6	310	-
LKDNV012E	1/2"	15	16	54	126	80	18	90.4	310	-
LKDNV034E	3/4"	20	16	65	146.4	100	18	110.4	550	-
LKDNV100E	1"	25	16	73	166.6	110	22.6	121.4	790	-
LKDNV114E	1" 1/4	32	16	86	195.8	131	25.1	145.6	1275	-
LKDNV112E	-	-	-	-	-	-	-	-	-	1\201d 1\2]
LKDNV200E	2"	50	16	122	253.8	179	29.6	194.6	2800	-

## FKM

Artikel	R	DN	product.detail.attribute.PN	product.detail.attribute.E	H	product.detail.attribute.H[5:1]	L	Z	g
LKDNV038F	3/8"	10	16	54	118	80	13.7	90.6	310
LKDNV012F	1/2"	15	16	54	126	80	18	90.4	310
LKDNV034F	3/4"	20	16	65	146.4	100	18	110.4	550
LKDNV100F	1"	25	16	73	166.6	110	22.6	121.4	790
LKDNV114F	1" 1/4	32	16	86	195.8	131	25.1	145.6	1275
LKDNV112F	1" 1/2	40	16	98	211.4	148	24.7	162	1660



# LKDNV - 3-Wege-Kugelhahn DUAL BLOCK® DN 10:50

Artikel	R	DN	product.detail.attribute.PN	product.detail.attribute.E	H	product.detail.attribute.H[5:1]	L	Z	g
LKDNV200F	2"	50	16	122	253.8	179	29.6	194.6	2800