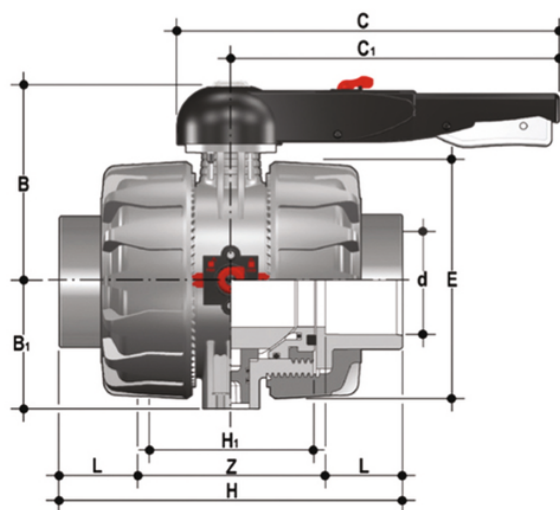


# VKDIV - DUAL BLOCK® 2-Wege-Kugelhahn DN 65:100

DUAL BLOCK® Zwei-Wege-Kugelhahn mit Innengewinde, metrische Serie.



## EPDM

Artikel	d	DN	product.detail.attribute.PN	B	product.detail.attribute.B[5:1]	product.detail.attribute.C	product.detail.attribute.C[5:1]	product.detail.attribute.L	product.detail.attribute.L[5:1]
VKDIV075E	75	65	16	164	87	225	175	164	164
VKDIV090E	90	80	16	177	105	327	272	203	203
VKDIV110E	110	100	16	195	129	385	330	238	238

## EPDM

Artikel	d	DN	product.detail.attribute.PN	B	product.detail.attribute.B[5:1]	product.detail.attribute.C	product.detail.attribute.C[5:1]	product.detail.attribute.L	product.detail.attribute.L[5:1]
VKDIV075E0SF	75	65	16	164	87	225	175	164	164
VKDIV090E0SF	90	80	16	177	105	327	272	203	203
VKDIV110E0SF	110	100	16	195	129	385	330	238	238

## FKM

Artikel	d	DN	product.detail.attribute.PN	B	product.detail.attribute.B[5:1]	product.detail.attribute.C	product.detail.attribute.C[5:1]	product.detail.attribute.L	product.detail.attribute.L[5:1]
VKDIV075F	75	65	16	164	87	225	175	164	164
VKDIV090F	90	80	16	177	105	327	272	203	203
VKDIV110F	-	-	-	-	-	-	-	-	-



# VKDIV - DUAL BLOCK® 2-Wege- Kugelhahn DN 65:100

## FKM

Artikel	product.detail.attribute. [["d"	d	DN	product.detail.attribute.PN	B	product.detail.attribute.B[5:1]	product.detail.attribute.C	product
VKDIV075F0SF	75]	-	-	-	-	-	-	-
VKDIV090F0SF	-	90	80	16	177	105	327	272
VKDIV110F0SF	-	110	100	16	195	129	385	330