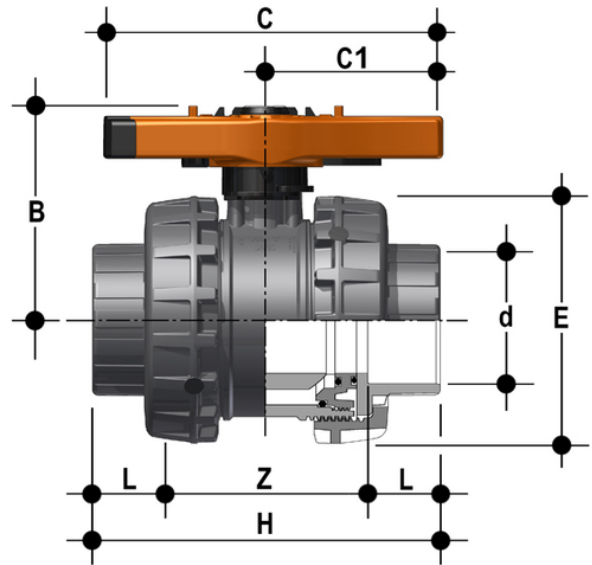


VXEAC - Easyfit 2-Wege-Kugelhahn DN 65:100

Easyfit-Zweiwege-Kugelhahn mit Innengewinde zum Kleben, Serie ASTM.



EPDM

Artikel

VXEAC212E

VXEAC300E

VXEAC400E

FKM

Artikel	product.detail.attribute. [["d"]	d	DN	product.detail.attribute.PN	B	product.detail.attribute.C	product.detail.attribute.C[5:1]	product.c
VXEAC212F	2\1/2",["DN","65"], ["PN","16"],["B","142"], ["C","214"],["C[5:1]","115"], ["E","157"],["H","211"], ["L","44,5"],["Z","122"], ["g","2998"]	-	-	-	-	-	-	-
VXEAC300F	-	3"	80	16	151	239	126	174
VXEAC400F	-	4"	100	16	174,5	270	145	212