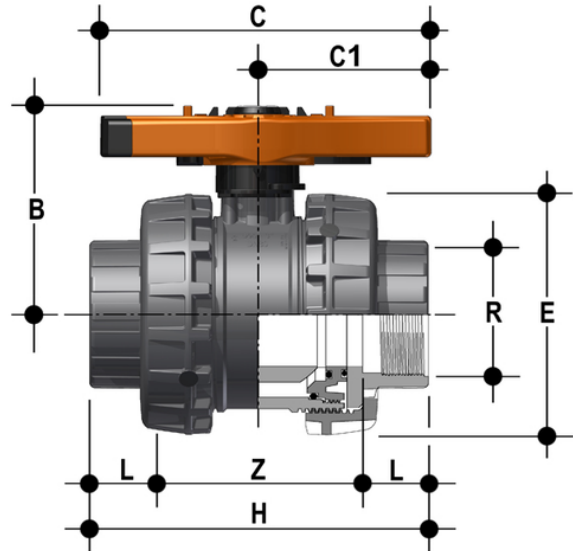


# VXENC - Easyfit 2-Wege-Kugelhahn DN 65:100

Easyfit-Zweiwegeventil mit NPT-Innengewindeanschlüssen.



## EPDM

Artikel	product.detail.attribute.[["R"]]	R	DN	product.detail.attribute.PN	B	product.detail.attribute.C	product.detail.attribute.C[5:1]	product.c
VXENC212E	2\1\2",["DN","65"], ["PN","16"],["B","142"], ["C","214"],["C[5:1]","115"], ["E","157"],["H","211"], ["L","33,2"],["Z","144,6"], ["g","2998"]]	-	-	-	-	-	-	-
VXENC300E	-	3"	80	16	151	239	126	174
VXENC400E	-	4"	100	16	174,5	270	145	212

## FKM

Artikel	product.detail.attribute.[["R"]]	R	DN	product.detail.attribute.PN	B	product.detail.attribute.C	product.detail.attribute.C[5:1]	product.c
VXENC212F	2\1\2",["DN","65"], ["PN","16"],["B","142"], ["C","214"],["C[5:1]","115"], ["E","157"],["H","211"], ["L","33,2"],["Z","144,6"], ["g","2998"]]	-	-	-	-	-	-	-
VXENC300F	-	3"	80	16	151	239	126	174
VXENC400F	-	4"	100	16	174,5	270	145	212