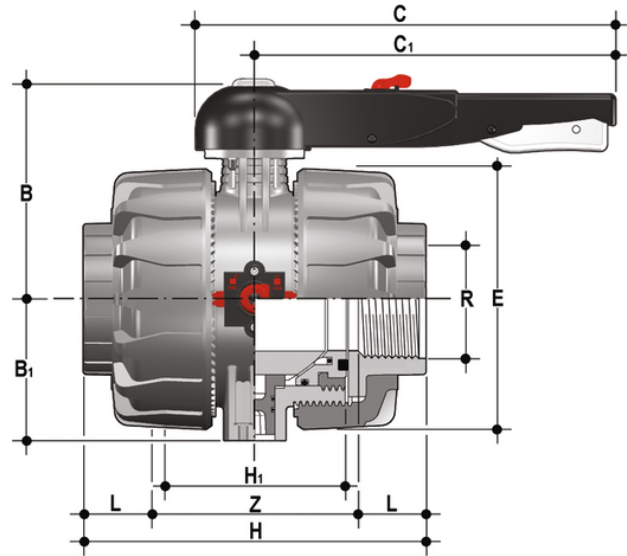


VKDFC - DUAL BLOCK® 2-Wege-Kugelhahn DN 65:100

DUAL BLOCK® Zwei-Wege-Kugelhahn mit Innengewinde, zylindrisches Gasgewinde.



EPDM

| Artikel | product.detail.attribute. ["R"] | R | DN | product.detail.attribute.PN | B | product.detail.attribute.B[5:1] | product.detail.attribute.C | product.de |
|-----------|---------------------------------|----|-----|-----------------------------|-----|---------------------------------|----------------------------|------------|
| VKDFC212E | 2\1/2 | - | - | - | - | - | - | - |
| VKDFC300E | - | 3" | 80 | 16 | 177 | 105 | 327 | 272 |
| VKDFC400E | - | 4" | 100 | 16 | 195 | 129 | 385 | 330 |

FKM

| Artikel | R | DN | product.detail.attribute.PN | B | product.detail.attribute.B[5:1] | product.detail.attribute.C | product.detail.attribute.C[5:1] | prod |
|-----------|--------|-----|-----------------------------|-----|---------------------------------|----------------------------|---------------------------------|------|
| VKDFC212F | 2" 1/2 | 65 | 16 | 164 | 87 | 225 | 175 | 164 |
| VKDFC300F | 3" | 80 | 16 | 177 | 105 | 327 | 272 | 203 |
| VKDFC400F | 4" | 100 | 16 | 195 | 129 | 385 | 330 | 238 |