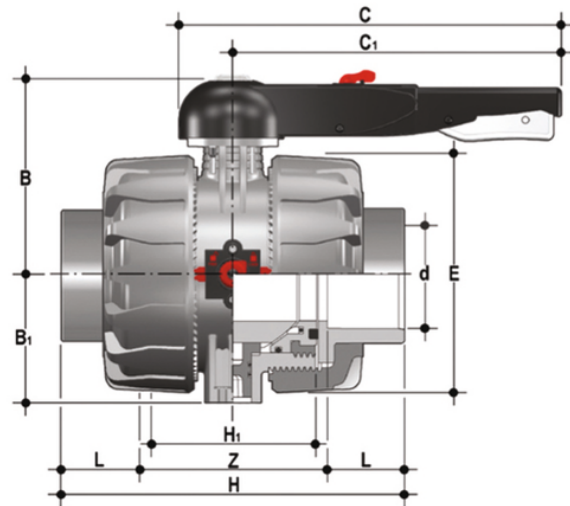


# VKDAC - DUAL BLOCK® 2-Wege-Kugelhahn DN 65:100

DUAL BLOCK® Zwei-Wege-Kugelhahn mit Innengewinde zum Kleben, Serie ASTM.



## EPDM

Artikel	product.detail.attribute. ["d"]	d	DN	product.detail.attribute.PN	B	product.detail.attribute.B[5:1]	product.detail.attribute.C	product.de
VKDAC212E	2\1/2", ["DN", "60"], ["PN", "16"], ["B", "164"], ["B[5:1]", "87"], ["C", "225"], ["C[5:1]", "175"], ["E", "164"], ["H", "235"], ["H[5:1]", "133"], ["L", "44,5"], ["Z", "146"], ["g", "4762"]	-	-	-	-	-	-	-
VKDAC300E	-	3"	80	16	177	105	327	272
VKDAC400E	-	4"	100	16	195	129	385	330

## FKM

Artikel	d	DN	product.detail.attribute.PN	B	product.detail.attribute.B[5:1]	product.detail.attribute.C	product.detail.attribute.C[5:1]	prod
VKDAC212F	2" 1/2	65	16	164	87	225	175	164
VKDAC300F	3"	80	16	177	105	327	272	203
VKDAC400F	4"	100	16	195	129	385	330	238