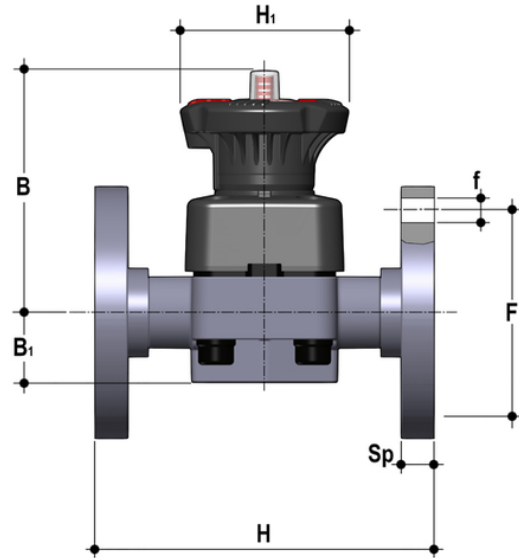


DKOAM - DIALOCK® 2-Wege-Membranventil DN 15:65

DIALOCK®-Membranventil mit monolithischem Flanschgehäuse ANSI B16.5 cl. 150 #FF.



EPDM

Artikel	product.detail.attribute.[["d"]
DKOAM012E	1\2\"
DKOAM034E	3\4\"
DKOAM100E	1\"
DKOAM114E	1\" 1\4\",["DN","32"],["PN","10"],["B","119"],["B[5:1]","30"],["F","89"],["f","15.7"],["H","162"],["H[5:1]","80"],["Sp","14"],["U","4"],["g","1005"]
DKOAM112E	1\" 1\2\",["DN","40"],["PN","10"],["B","149"],["B[5:1]","35"],["F","99"],["f","15.7"],["H","180"],["H[5:1]","120"],["Sp","16"],["U","4"],["g","1771"]
DKOAM200E	2\"
DKOAM212E	2\" 1\2\",["DN","65"],["PN","10"],["B","172"],["B[5:1]","46"],["F","140"],["f","19"],["H","250"],["H[5:1]","120"],["Sp","21"],["U","4"],["g","2997"]

FKM

Artikel	product.detail.attribute.[["d"]
DKOAM012F	1\2\"
DKOAM034F	3\4\"
DKOAM100F	1\"
DKOAM114F	1\" 1\4\",["DN","32"],["PN","10"],["B","119"],["B[5:1]","30"],["F","89"],["f","15.7"],["H","162"],["H[5:1]","80"],["Sp","14"],["U","4"],["g","1005"]
DKOAM112F	1\" 1\2\",["DN","40"],["PN","10"],["B","149"],["B[5:1]","35"],["F","99"],["f","15.7"],["H","180"],["H[5:1]","120"],["Sp","16"],["U","4"],["g","1771"]
DKOAM200F	2\"
DKOAM212F	2\" 1\2\",["DN","65"],["PN","10"],["B","172"],["B[5:1]","46"],["F","140"],["f","19"],["H","250"],["H[5:1]","120"],["Sp","21"],["U","4"],["g","2997"]



DKOAM - DIALOCK® 2-Wege-Membranventil DN 15:65

PTFE

Artikel	product.detail.attribute.[["d"
DKOAM012P	1\2"
DKOAM034P	3\4"
DKOAM100P	1"
DKOAM114P	1" 1\4",["DN","32"],["PN","10"],["B","119"],["B[5:1]","30"],["F","89"],["f","15.7"],["H","162"],["H[5:1]","80"],["Sp","14"],["U","4"],["g","1005"]]
DKOAM112P	1" 1\2",["DN","40"],["PN","10"],["B","149"],["B[5:1]","35"],["F","99"],["f","15.7"],["H","180"],["H[5:1]","120"],["Sp","16"],["U","4"],["g","1771"]]
DKOAM200P	2"
DKOAM212P	2" 1\2",["DN","65"],["PN","10"],["B","172"],["B[5:1]","46"],["F","140"],["f","19"],["H","250"],["H[5:1]","120"],["Sp","21"],["U","4"],["g","2997"]]

