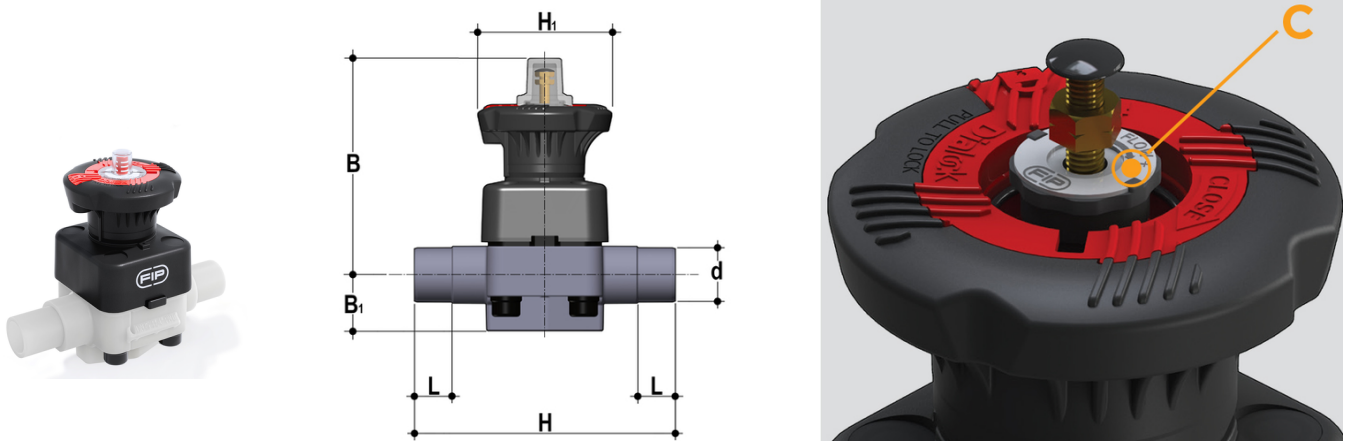


# DKLDF - DIALOCK® 2-Wege-Membranventil DN 15:65

DIALOCK®-Membranventil mit Hubbegrenzung und Taschenschweißnippeln, metrische Serie.



## EPDM

Artikel	d	DN	product.detail.attribute.PN	B	product.detail.attribute.B[5:1]	H	product.detail.attribute.H[5:1]	L	g
DKLDF020E	20	15	10	115	25	124	80	16	527
DKLDF025E	25	20	10	118	30	144	80	19	557
DKLDF032E	32	25	10	127	33	154	80	22	786
DKLDF040E	40	32	10	132	30	174	80	26	847
DKLDF050E	50	40	10	175	35	194	120	31	1760
DKLDF063E	63	50	10	200	46	224	120	38	2753
DKLDF075E	75	65	10	200	46	284	120	44	2931

## FKM

Artikel	d	DN	product.detail.attribute.PN	B	product.detail.attribute.B[5:1]	H	product.detail.attribute.H[5:1]	L	g	product.detail.attribute.L["d"]
DKLDF020F	20	15	10	115	25	124	80	16	527	-
DKLDF025F	-	-	-	-	-	-	-	-	-	25]
DKLDF032F	32	25	10	127	33	154	80	22	786	-
DKLDF040F	40	32	10	132	30	174	80	26	847	-
DKLDF050F	50	40	10	175	35	194	120	31	1760	-
DKLDF063F	63	50	10	200	46	224	120	38	2753	-
DKLDF075F	75	65	10	200	46	284	120	44	2931	-

## PTFE

# DKLDF - DIALOCK® 2-Wege- Membranventil DN 15:65

Artikel	d	DN	product.detail.attribute.PN	B	product.detail.attribute.B[5:1]	H	product.detail.attribute.H[5:1]	L	g	product.detail.at [["d"
DKLDF020P	20	15	10	115	25	124	80	16	527	-
DKLDF025P	25	20	10	118	30	144	80	19	557	-
DKLDF032P	32	25	10	127	33	154	80	22	786	-
DKLDF040P	40	32	10	132	30	174	80	26	847	-
DKLDF050P	-	-	-	-	-	-	-	-	-	50]
DKLDF063P	63	50	10	200	46	224	120	38	2753	-
DKLDF075P	75	65	10	200	46	284	120	44	2931	-