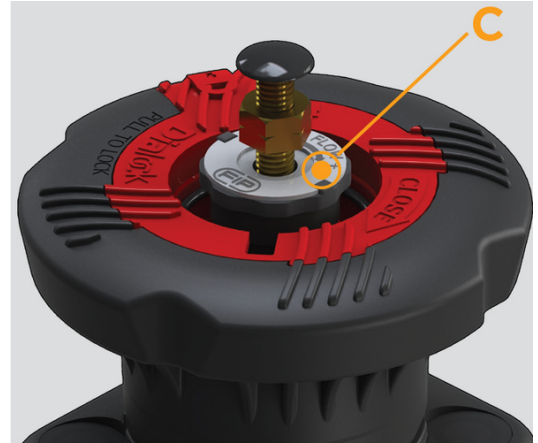
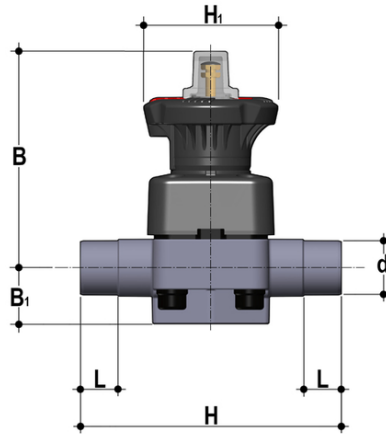


DKLDM - DIALOCK® 2-Wege-Membranventil DN 15:65

DIALOCK®-Membranventil mit Hubbegrenzung und Taschenschweißnippeln, metrische Serie.



EPDM

Artikel	d	DN	product.detail.attribute.PN	B	product.detail.attribute.B[5:1]	H	product.detail.attribute.H[5:1]	L	product.detail.attribute.L[5:1]
DKLDM020E	20	15	10	115	25	124	80	16	460
DKLDM025E	25	20	10	118	30	144	80	19	475
DKLDM032E	32	25	10	127	33	154	80	22	650
DKLDM040E	40	32	10	132	30	174	80	26	680
DKLDM050E	50	40	10	175	35	194	120	31	1440
DKLDM063E	63	50	10	200	46	224	120	38	2196
DKLDM075E	75	65	10	200	46	284	120	44	2285

FKM

Artikel	d	DN	product.detail.attribute.PN	B	product.detail.attribute.B[5:1]	H	product.detail.attribute.H[5:1]	L	product.detail.attribute.L[5:1]
DKLDM020F	20	15	10	115	25	124	80	16	460
DKLDM025F	25	20	10	118	30	144	80	19	475
DKLDM032F	32	25	10	127	33	154	80	22	650
DKLDM040F	-	-	-	-	-	-	-	-	-
DKLDM050F	50	40	10	175	35	194	120	31	1440
DKLDM063F	63	50	10	200	46	224	120	38	2196
DKLDM075F	75	65	10	200	46	284	120	44	2285

PTFE

DKLDM - DIALOCK® 2-Wege- Membranventil DN 15:65

Artikel	d	DN	product.detail.attribute.PN	B	product.detail.attribute.B[5:1]	H	product.detail.attribute.H[5:1]	L	product.detail.attribute
DKLDM020P	20	15	10	115	25	124	80	16	460
DKLDM025P	25	20	10	118	30	144	80	19	475
DKLDM032P	32	25	10	127	33	154	80	22	650
DKLDM040P	40	32	10	132	30	174	80	26	680
DKLDM050P	50	40	10	175	35	194	120	31	1440
DKLDM063P	63	50	10	200	46	224	120	38	2196
DKLDM075P	75	65	10	200	46	284	120	44	2285