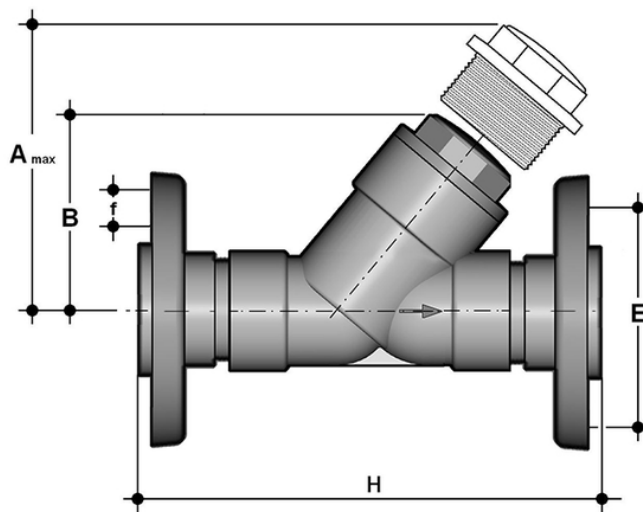


VROAM – Rückschlagventil DN 15:80

Rückschlagventil mit freien Flanschen aus PP/FRP-beschichtetem Stahl, Bohrung ANSI B16.5 cl.150 #FF.



EPDM

Artikel	product.detail.attribute.[["d - Size"]]
VROAM075E	75 - 2\ "1\ /2", ["DN", "65"], ["PN", "6"], ["A max", "300"], ["B", "176"], ["F", "139,7"], ["f", "18"], ["H", "356"], ["g", "5595"]]
VROAM090E	90 - 3\ "
VROAM212E	-
VROAM300E	-

FKM

Artikel	product.detail.attribute.[["d - Size"]]
VROAM075F	75 - 2\ "1\ /2", ["DN", "65"], ["PN", "6"], ["A max", "300"], ["B", "176"], ["F", "139,7"], ["f", "18"], ["H", "356"], ["g", "5595"]]
VROAM090F	90 - 3\ "
VROAM212F	-
VROAM300F	-