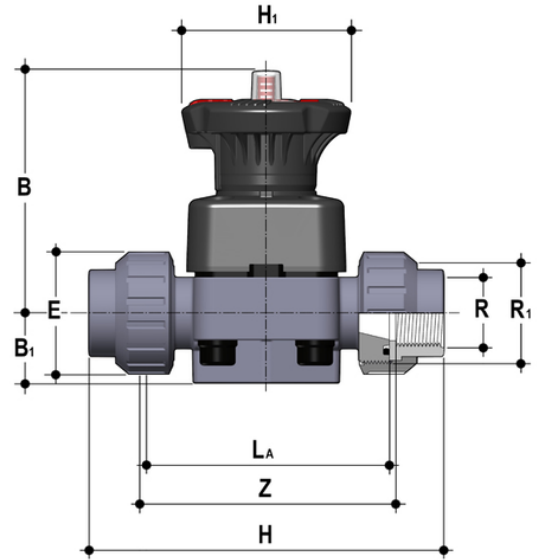


# DKUFC - DIALOCK® 2-Wege-Membranventil DN 15:65

DIALOCK®-Membranventil mit Überwurfverschraubungen zum Verbinden von ASTM-Serien.



## EPDM

Artikel	product.detail.attribute.[["R"
DKUFC012E	1\2\"
DKUFC034E	3\4\"
DKUFC100E	1\"
DKUFC114E	1\1\4\",["DN","32"],["PN","10"],["B","119"],["B[5:1]","30"],["E","72"],["H","188"],["H[5:1]","80"],["La","134"],["R[5:1]","2\"]
DKUFC112E	1\1\2\",["DN","40"],["PN","10"],["B","149"],["B[5:1]","35"],["E","79"],["H","208"],["H[5:1]","120"],["La","154"],["R[5:1]","2\1\2\"]
DKUFC200E	2\"

## FKM

Artikel	product.detail.attribute.[["R"
DKUFC012F	1\2\"
DKUFC034F	3\4\"
DKUFC100F	1\"
DKUFC114F	1\1\4\",["DN","32"],["PN","10"],["B","119"],["B[5:1]","30"],["E","72"],["H","188"],["H[5:1]","80"],["La","134"],["R[5:1]","2\"]
DKUFC112F	1\1\2\",["DN","40"],["PN","10"],["B","149"],["B[5:1]","35"],["E","79"],["H","208"],["H[5:1]","120"],["La","154"],["R[5:1]","2\1\2\"]
DKUFC200F	2\"

## PTFE



# DKUFC - DIALOCK® 2-Wege- Membranventil DN 15:65

Artikel	product.detail.attribute.[["R"
DKUFC012P	1\2\"]
DKUFC034P	3\4\"]
DKUFC100P	1\"]
DKUFC114P	1\1\4\],[["DN","32"],["PN","10"],["B","119"],["B[5:1]","30"],["E","72"],["H","188"],["H[5:1]","80"],["La","134"],["R[5:1]","2\"]]
DKUFC112P	1\1\2\],[["DN","40"],["PN","10"],["B","149"],["B[5:1]","35"],["E","79"],["H","208"],["H[5:1]","120"],["La","154"],["R[5:1]","2\1\2\"]]
DKUFC200P	2\"]