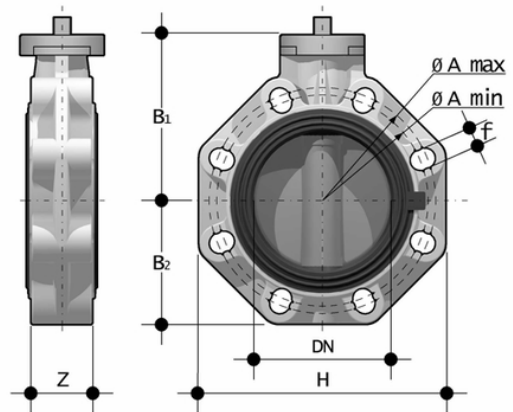


# FKOM/FM - Absperrklappe DN 40:400

Freistehende Absperrklappe.



## EPDM

Artikel	product.detail.attribute. ["d - Size"]	product.detail.attribute.d - Size	DN	product.detail.attribute.PN	product.detail.attribute.A min	product.detail.attri max
FKOAMFM810E	10\[""]	-	-	-	-	-
FKOAMFM812E	12\[""]	-	-	-	-	-
FKOAMFM814E	14\[""]	-	-	-	-	-
FKOAMFM816E	16\[""]	-	-	-	-	-
FKOMFM050E	50 - 1\["1\2"],["DN","40"], ["PN","10"],["A min","99"], ["A max","109"], ["\u00f8A","-"], ["B[5:1]","106"], ["B[5:2]","60"],["f","19"], ["H","132"],["U","4"], ["Z","33"],["g","474"]	-	-	-	-	-
FKOMFM063E	63 - 2\[""]	-	-	-	-	-
FKOMFM075E	75 - 2\["1\2"],["DN","65"], ["PN","10"],["A min","128"], ["A max","144"], ["\u00f8A","-"], ["B[5:1]","119"], ["B[5:2]","80"],["f","19"], ["H","165"],["U","4"], ["Z","46"],["g","900"]	-	-	-	-	-
FKOMFM090E	90 - 3\[""]	-	-	-	-	-

# FKOM/FM - Absperrklappe DN 40:400

Artikel	product.detail.attribute. ["d - Size"	product.detail.attribute.d - Size	DN	product.detail.attribute.PN	product.detail.attribute.A min	product.detail.attribute.A max
FKOMFM110E	110 - 4\	-	-	-	-	-
FKOMFM140E	125\140 - 5\	-	-	-	-	-
FKOMFM160E	160*\180 - 6\	-	-	-	-	-
FKOMFM225E	200*\225* - 8\	-	-	-	-	-
FKOMFM280E	-	250*/280*	**250	10	-	-
FKOMFM315E	-	315*	**300	8	-	-
FKOMFM355E	-	355*	**350	7	-	-
FKOMFM400E	-	400*	**400	6	-	-

## FKM

Artikel	product.detail.attribute. ["d - Size"	product.detail.attribute.d - Size	DN	product.detail.attribute.PN	product.detail.attribute.A min	product.detail.attribute.A max
FKOMFM050F	50 - 1\1/2\,["DN","40"], ["PN","10"],["A min","99"], ["A max","109"], ["\u00f8A","-"], ["B[5:1]","106"], ["B[5:2]","60"],["f","19"], ["H","132"],["U","4"], ["Z","33"],["g","474"]]	-	-	-	-	-
FKOAMFM814F	14\	-	-	-	-	-
FKOAMFM812F	12\	-	-	-	-	-
FKOAMFM810F	10\	-	-	-	-	-
FKOMFM400F	-	400*	**400	6	-	-
FKOMFM355F	-	355*	**350	7	-	-
FKOMFM315F	-	315*	**300	8	-	-
FKOMFM280F	-	250*/280*	**250	10	-	-
FKOMFM225F	200*\225* - 8\	-	-	-	-	-
FKOMFM160F	160*\180 - 6\	-	-	-	-	-
FKOMFM140F	125\140 - 5\	-	-	-	-	-
FKOMFM110F	110 - 4\	-	-	-	-	-
FKOMFM090F	90 - 3\	-	-	-	-	-
FKOMFM075F	75 - 2\1/2\,["DN","65"], ["PN","10"],["A min","128"], ["A max","144"], ["\u00f8A","-"], ["B[5:1]","119"], ["B[5:2]","80"],["f","19"], ["H","165"],["U","4"], ["Z","46"],["g","900"]]	-	-	-	-	-



# FKOM/FM - Absperrklappe DN 40:400

Artikel	product.detail.attribute. ["d - Size"	product.detail.attribute.d - Size	DN	product.detail.attribute.PN	product.detail.attribute.A min	product.detail.attri max
FKOMFM063F	63 - 2\"]	-	-	-	-	-
FKOAMFM816F	16\"]	-	-	-	-	-