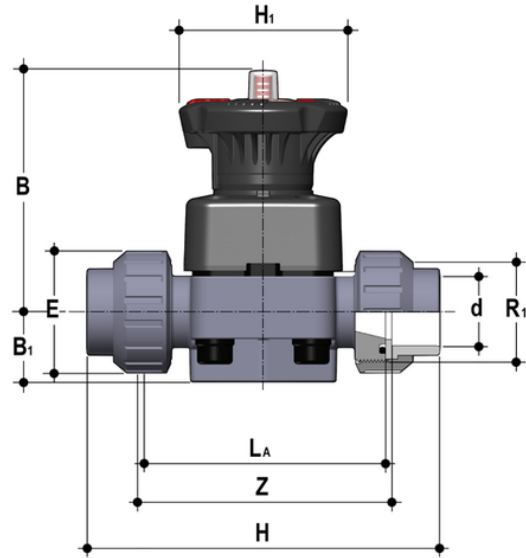


# DKUAC - DIALOCK® 2-Wege-Membranventil DN 15:65

DIALOCK®-Membranventil mit Überwurfverschraubungen zum Verbinden von ASTM-Serien.



## EPDM

Artikel	product.detail.attribute.[["d"]
DKUAC012E	1\2\"
DKUAC034E	3\4\"
DKUAC100E	1\"
DKUAC114E	1\1\4\",["DN","32"],["PN","10"],["B","119"],["B[5:1]","30"],["E","72"],["H","208"],["H[5:1]","80"],["La","134"],["R[5:1]","2\"]
DKUAC112E	1\1\2\",["DN","40"],["PN","10"],["B","149"],["B[5:1]","35"],["E","79"],["H","234"],["H[5:1]","120"],["La","154"],["R[5:1]","2\1\2\""]
DKUAC200E	2\"

## FKM

Artikel	product.detail.attribute.[["d"]
DKUAC012F	1\2\"
DKUAC034F	3\4\"
DKUAC100F	1\"
DKUAC114F	1\1\4\",["DN","32"],["PN","10"],["B","119"],["B[5:1]","30"],["E","72"],["H","208"],["H[5:1]","80"],["La","134"],["R[5:1]","2\"]
DKUAC112F	1\1\2\",["DN","40"],["PN","10"],["B","149"],["B[5:1]","35"],["E","79"],["H","234"],["H[5:1]","120"],["La","154"],["R[5:1]","2\1\2\""]
DKUAC200F	2\"

## PTFE

# DKUAC - DIALOCK® 2-Wege- Membranventil DN 15:65

Artikel	product.detail.attribute.[["d"]
DKUAC012P	1\2\["]
DKUAC034P	3\4\["]
DKUAC100P	1\["]
DKUAC114P	1\1\4\["DN","32"],["PN","10"],["B","119"],["B[5:1]","30"],["E","72"],["H","208"],["H[5:1]","80"],["Lα","134"],["R[5:1]","2\[""]
DKUAC112P	1\1\2\["DN","40"],["PN","10"],["B","149"],["B[5:1]","35"],["E","79"],["H","234"],["H[5:1]","120"],["Lα","154"],["R[5:1]","2\1\2\[""]
DKUAC200P	2\["]