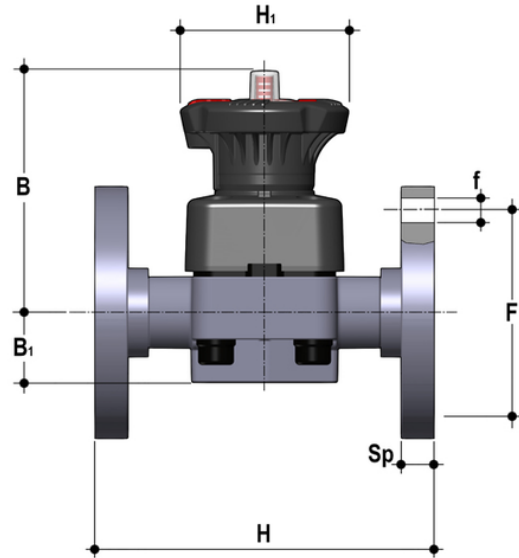


DKOAC - DIALOCK® 2-Wege-Membranventil DN 15:65

DIALOCK®-Membranventil mit monolithischem Flanschgehäuse ANSI B16.5 cl.150 #FF.



EPDM

Artikel	product.detail.attribute.[["d"]]
DKOAC012E	1\1/2"
DKOAC034E	3\4"
DKOAC100E	1"
DKOAC114E	1" 1\4",["DN","32"],["PN","10"],["B","119"],["B[5:1]","30"],["f","89"],["F","15.7"],["H","162"],["H[5:1]","80"],["Sp","14"],["U","4"],["g","1364"]]
DKOAC112E	1" 1\2",["DN","40"],["PN","10"],["B","149"],["B[5:1]","35"],["f","99"],["F","15.7"],["H","180"],["H[5:1]","120"],["Sp","16"],["U","4"],["g","2299"]]
DKOAC200E	2"
DKOAC212E	2" 1\2",["DN","65"],["PN","10"],["B","172"],["B[5:1]","46"],["f","140"],["F","19"],["H","250"],["H[5:1]","120"],["Sp","21"],["U","4"],["g","3873"]]

FKM

Artikel	product.detail.attribute.[["d"]]
DKOAC012F	1\1/2"
DKOAC034F	3\4"
DKOAC100F	1"
DKOAC114F	1" 1\4",["DN","32"],["PN","10"],["B","119"],["B[5:1]","30"],["f","89"],["F","15.7"],["H","162"],["H[5:1]","80"],["Sp","14"],["U","4"],["g","1364"]]
DKOAC112F	1" 1\2",["DN","40"],["PN","10"],["B","149"],["B[5:1]","35"],["f","99"],["F","15.7"],["H","180"],["H[5:1]","120"],["Sp","16"],["U","4"],["g","2299"]]
DKOAC200F	2"
DKOAC212F	2" 1\2",["DN","65"],["PN","10"],["B","172"],["B[5:1]","46"],["f","140"],["F","19"],["H","250"],["H[5:1]","120"],["Sp","21"],["U","4"],["g","3873"]]



DKOAC - DIALOCK® 2-Wege-Membranventil DN 15:65

PTFE

Artikel	product.detail.attribute.[["d"
DKOAC012P	1\2\["]
DKOAC034P	3\4\["]
DKOAC100P	1\["]
DKOAC114P	1\[" 1\4\["],["DN","32"],["PN","10"],["B","119"],["B[5:1]","30"],["f","89"],["F","15.7"],["H","162"],["H[5:1]","80"],["Sp","14"],["U","4"],["g","1364"]]
DKOAC112P	1\[" 1\2\["],["DN","40"],["PN","10"],["B","149"],["B[5:1]","35"],["f","99"],["F","15.7"],["H","180"],["H[5:1]","120"],["Sp","16"],["U","4"],["g","2299"]]
DKOAC200P	2\["]
DKOAC212P	2\[" 1\2\["],["DN","65"],["PN","10"],["B","172"],["B[5:1]","46"],["f","140"],["F","19"],["H","250"],["H[5:1]","120"],["Sp","21"],["U","4"],["g","3873"]]

