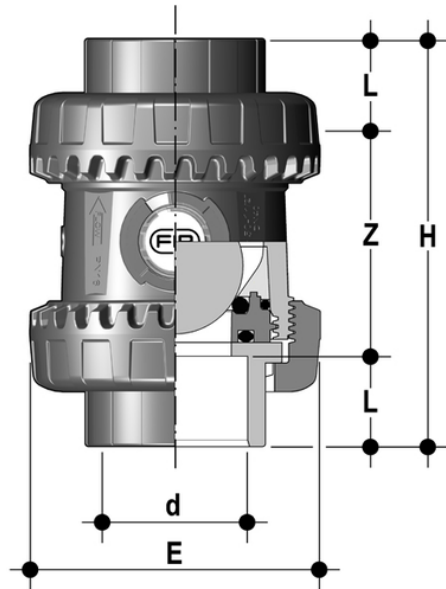


SXELV - Easyfit- Kugelrückschlagventil DN 10:50

Easyfit-Kugelrückschlagventil mit Innengewinde zum Verkleben, Serie BS.



EPDM

Artikel	product.detail.attribute.[["d"]	d	DN	product.detail.attribute.PN	product.detail.attribute.E	H	L	Z	g
SXELV038E	3\8"	-	-	-	-	-	-	-	-
SXELV012E	-	1/2"	15	16	54	82	16,5	49	148
SXELV034E	-	3/4"	20	16	63	91	19	53	190
SXELV100E	-	1"	25	16	72	103	22,5	58	300
SXELV114E	1\1/4",["DN","32"],["PN","16"],["E","85"],["H","120"],["L","26"],["Z","68"],["g","460"]	-	-	-	-	-	-	-	-
SXELV112E	1\1/2",["DN","40"],["PN","16"],["E","100"],["H","139"],["L","30"],["Z","79"],["g","675"]	-	-	-	-	-	-	-	-
SXELV200E	-	2"	50	16	118	174	36	102	1080

FKM

Artikel	product.detail.attribute.[["d"]	d	DN	product.detail.attribute.PN	product.detail.attribute.E	H	L	Z	g
SXELV038F	3\8"	-	-	-	-	-	-	-	-
SXELV012F	-	1/2"	15	16	54	82	16,5	49	148
SXELV034F	-	3/4"	20	16	63	91	19	53	190
SXELV100F	-	1"	25	16	72	103	22,5	58	300
SXELV114F	1\1/4",["DN","32"],["PN","16"],["E","85"],["H","120"],["L","26"],["Z","68"],["g","460"]	-	-	-	-	-	-	-	-

SXELV - Easyfit- Kugelrückschlagventil DN 10:50

Artikel	product.detail.attribute.[["d"	d	DN	product.detail.attribute.PN	product.detail.attribute.E	H	L	Z	g
SXELV112F	1\1\2",["DN","40"],["PN","16"],["E","100"],["H","139"],["L","30"],["Z","79"],["g","675"]]	-	-	-	-	-	-	-	-
SXELV200F	-	2"	50	16	118	174	36	102	1080