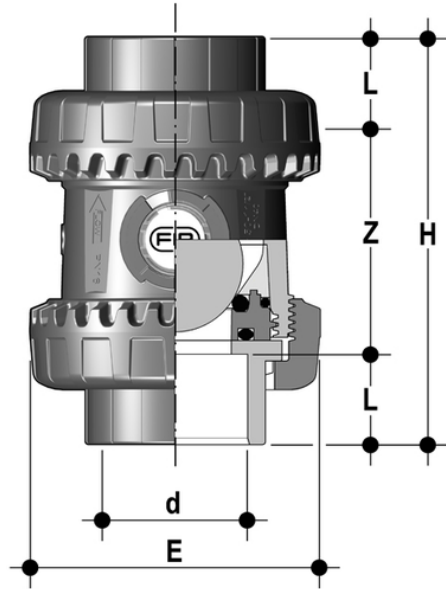


SXEAV - Easyfit- Kugelrückschlagventil DN 10:50

Easyfit-Kugelrückschlagventil mit Innengewinde zum Verkleben, Serie ASTM.



EPDM

Artikel	d	DN	product.detail.attribute.PN	product.detail.attribute.E	H	L	Z	g	product.detail.attribute.[["d"]
SXEAV012E	1/2"	15	16	54	96	22,5	51	148	-
SXEAV034E	3/4"	20	16	63	105	25,5	54	190	-
SXEAV100E	-	-	-	-	-	-	-	-	1\u201d
SXEAV114E	-	-	-	-	-	-	-	-	1\u201d1/4",["DN","32"],["PN","16"],["E","85"],["H","136"],["L","32"],["Z","72"],["g","460"]
SXEAV112E	-	-	-	-	-	-	-	-	1\u201d1/2",["DN","40"],["PN","16"],["E","100"],["H","147"],["L","35"],["Z","77"],["g","675"]
SXEAV200E	2"	50	16	118	174	38,2	97,6	1080	-

FKM

Artikel	d	DN	product.detail.attribute.PN	product.detail.attribute.E	H	L	Z	g	product.detail.attribute.[["d"]
SXEAV012F	1/2"	15	16	54	96	22,5	51	148	-
SXEAV034F	3/4"	20	16	63	105	25,5	54	190	-
SXEAV100F	1"	25	16	72	117	28,7	59,5	300	-
SXEAV114F	-	-	-	-	-	-	-	-	1\u201d1/4",["DN","32"],["PN","16"],["E","85"],["H","136"],["L","32"],["Z","72"],["g","460"]
SXEAV112F	-	-	-	-	-	-	-	-	1\u201d1/2",["DN","40"],["PN","16"],["E","100"],["H","147"],["L","35"],["Z","77"],["g","675"]
SXEAV200F	2"	50	16	118	174	38,2	97,6	1080	-