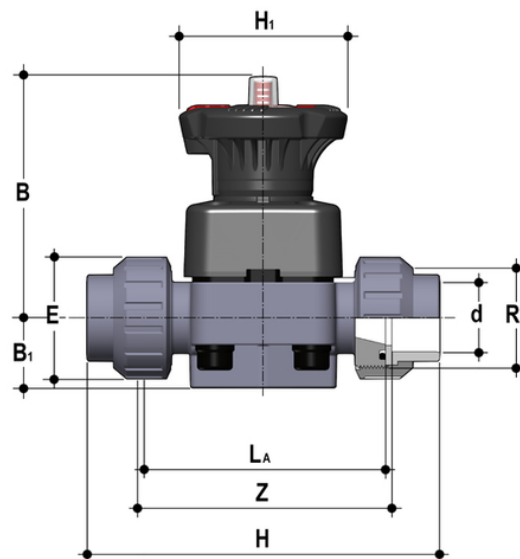


# DKUIV - DIALOCK® 2-Wege-Membranventil DN 15:65

DIALOCK®-Membranventil mit Überwurfverschraubungen zum Verkleben, metrische Baureihe.



## EPDM

Artikel	product.detail.attribute.[["d"]
DKUIV020E	20]
DKUIV025E	25]
DKUIV032E	32]
DKUIV040E	40]
DKUIV050E	50]
DKUIV063E	63]

## EPDM

Artikel	product.detail.attribute.[["d"]
DKUIV020E0SF	20]
DKUIV025E0SF	25]
DKUIV032E0SF	32]
DKUIV040E0SF	40]
DKUIV050E0SF	50]
DKUIV063E0SF	63]

## FKM

# DKUIV - DIALOCK® 2-Wege- Membranventil DN 15:65

Artikel	product.detail.attribute.[["d"]
DKUIV020F	20]
DKUIV025F	25]
DKUIV032F	32]
DKUIV040F	40]
DKUIV050F	50]
DKUIV063F	63]

## PTFE

Artikel	product.detail.attribute.[["d"]
DKUIV020P	20]
DKUIV025P	25]
DKUIV032P	32]
DKUIV040P	40]
DKUIV050P	50]
DKUIV063P	63]

## PTFE

Artikel	product.detail.attribute.[["d"]
DKUIV020POSF	20]
DKUIV025POSF	25]
DKUIV032POSF	32]
DKUIV040POSF	40]
DKUIV050POSF	50]
DKUIV063POSF	63]