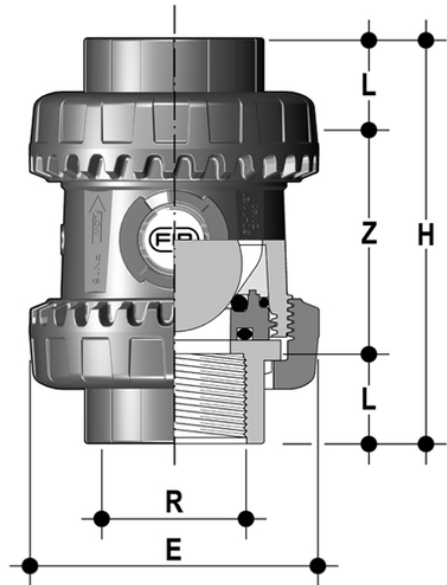


SXENV - Easyfit- Kugelrückschlagventil DN 10:50

Easyfit-Kugelrückschlagventil mit Innenanschlüssen, NPT-Gewinde.



EPDM

Artikel	product.detail.attribute.[["R"	R	DN	product.detail.attribute.PN	product.detail.attribute.E	H	L	Z	g
SXENV038E	3\8\201d]	-	-	-	-	-	-	-	-
SXENV012E	-	1/2"	15	16	54	90	17,8	54,4	148
SXENV034E	-	3/4"	20	16	63	93	18	57	190
SXENV100E	-	1"	25	16	72	110	22,6	64,8	300
SXENV114E	1\1\4",[["DN","32"],["PN","16"],["E","85"],["H","127"],["L","25,1"],["Z","76,8"],["g","460"]]	-	-	-	-	-	-	-	-
SXENV112E	1\1\2",[["DN","40"],["PN","16"],["E","100"],["H","131"],["L","24,7"],["Z","81,6"],["g","675"]]	-	-	-	-	-	-	-	-
SXENV200E	-	2"	50	16	118	161	29,6	101,8	1080

FKM

Artikel	R	DN	product.detail.attribute.PN	product.detail.attribute.E	H	L	Z	g	product.detail.attribute.[["R"
SXENV038F	3/8"	10	16	54	82	13,7	54,6	145	-
SXENV012F	1/2"	15	16	54	90	17,8	54,4	148	-
SXENV034F	3/4"	20	16	63	93	18	57	190	-
SXENV100F	1"	25	16	72	110	22,6	64,8	300	-



SXENV - Easyfit- Kugelrückschlagventil DN 10:50

Artikel	R	DN	product.detail.attribute.PN	product.detail.attribute.E	H	L	Z	g	product.detail.attribute.[["R"
SXENV114F	-	-	-	-	-	-	-	-	1\1\4",[["DN","32"],["PN","16"],["E","85"],["H","127"],["L","25,1"],["Z","76,8"],["g","460"]]
SXENV112F	-	-	-	-	-	-	-	-	1\1\2",[["DN","40"],["PN","16"],["E","100"],["H","131"],["L","24,7"],["Z","81,6"],["g","675"]]
SXENV200F	2"	50	16	118	161	29,6	101,8	1080	-

