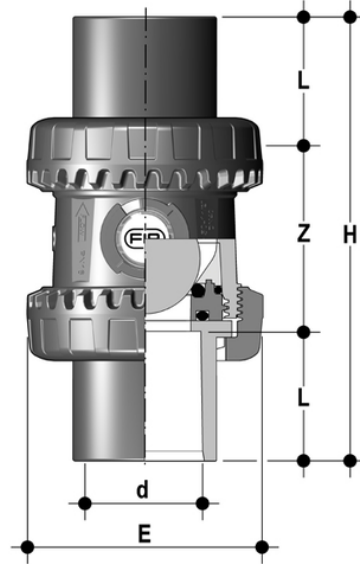


# SXEJV – Easyfit- Kugelrückschlagventil DN 10:50

Easyfit-Kugelrückschlagventil mit Innengewinde zum Verkleben, Serie JIS.



## EPDM

Artikel	d	DN	product.detail.attribute.PN	product.detail.attribute.E	H	L	Z	g	product.detail.attribute.[["d"
SXEJV012E	1/2"	15	16	54	110	30	50	160	-
SXEJV034E	3/4"	20	16	63	123	35	53	235	-
SXEJV100E	1"	25	16	72	139	40	59	325	-
SXEJV114E	-	-	-	-	-	-	-	-	1\1/4",["DN","32"],["PN","16"],["E","85"],["H","156"],["L","44"],["Z","68"],["g","490"]
SXEJV112E	-	-	-	-	-	-	-	-	1\1/2",["DN","40"],["PN","16"],["E","100"],["H","187"],["L","55"],["Z","77"],["g","680"]
SXEJV200E	2"	50	16	118	228	63	102	1150	-

## FKM

Artikel	d	DN	product.detail.attribute.PN	product.detail.attribute.E	H	L	Z	g	product.detail.attribute.[["d"
SXEJV012F	1/2"	15	16	54	110	30	50	160	-
SXEJV034F	3/4"	20	16	63	123	35	53	235	-
SXEJV100F	1"	25	16	72	139	40	59	325	-
SXEJV114F	-	-	-	-	-	-	-	-	1\1/4",["DN","32"],["PN","16"],["E","85"],["H","156"],["L","44"],["Z","68"],["g","490"]
SXEJV112F	-	-	-	-	-	-	-	-	1\1/2",["DN","40"],["PN","16"],["E","100"],["H","187"],["L","55"],["Z","77"],["g","680"]
SXEJV200F	2"	50	16	118	228	63	102	1150	-