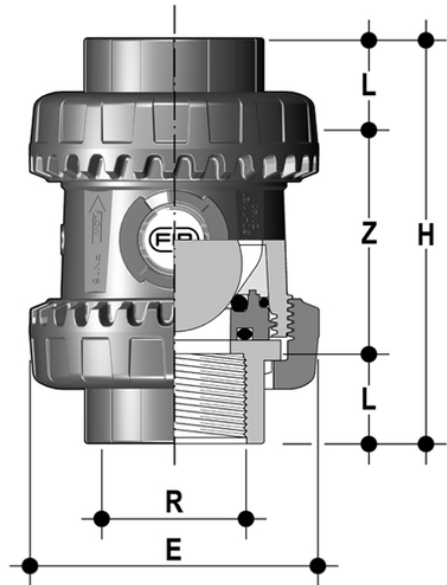


SXEGV - Easyfit- Kugelrückschlagventil DN 10:50

Easyfit-Kugelrückschlagventil mit Innengewinde, JIS-Gewinde.



EPDM

Artikel	R	DN	product.detail.attribute.PN	product.detail.attribute.E	H	L	Z	g	product.detail.attribute.[["R"
SXEGV012E	1/2"	15	16	54	82	16	50	148	-
SXEGV034E	3/4"	20	16	63	91	19	53	190	-
SXEGV100E	-	-	-	-	-	-	-	-	1\u201d
SXEGV114E	-	-	-	-	-	-	-	-	1\u201d1/4",["DN","32"],["PN","16"],["E","85"],["H","120"],["L","25"],["Z","70"],["g","460"]
SXEGV112E	-	-	-	-	-	-	-	-	1\u201d1/2",["DN","40"],["PN","16"],["E","100"],["H","139"],["L","26"],["Z","87"],["g","675"]
SXEGV200E	2"	50	16	118	174	31	112	1080	-

FKM

Artikel	R	DN	product.detail.attribute.PN	product.detail.attribute.E	H	L	Z	g	product.detail.attribute.[["R"
SXEGV012F	1/2"	15	16	54	82	16	50	148	-
SXEGV034F	3/4"	20	16	63	91	19	53	190	-
SXEGV100F	1"	25	16	72	103	22	59	300	-
SXEGV114F	-	-	-	-	-	-	-	-	1\u201d1/4",["DN","32"],["PN","16"],["E","85"],["H","120"],["L","25"],["Z","70"],["g","460"]
SXEGV112F	-	-	-	-	-	-	-	-	1\u201d1/2",["DN","40"],["PN","16"],["E","100"],["H","139"],["L","26"],["Z","87"],["g","675"]
SXEGV200F	2"	50	16	118	174	31	112	1080	-