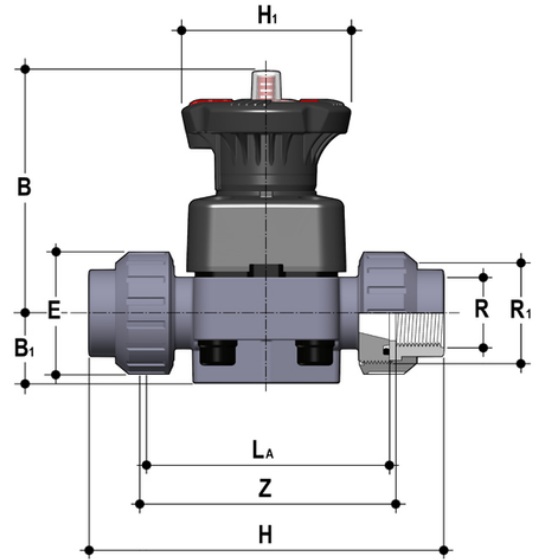


DKUFV - DIALOCK® 2-Wege-Membranventil DN 15:65

DIALOCK®-Membranventil mit Überwurfverschraubungen, zylindrisches Gasgewinde.



EPDM

Artikel	product.detail.attribute.[["R"]
DKUFV012E	1\2\"
DKUFV034E	3\4\"
DKUFV100E	1\"
DKUFV114E	1\"1\4\",["DN","32"],["PN","10"],["B","119"],["B[5:1]","30"],["E","72"],["H","188"],["H[5:1]","80"],["La","134"],["R[5:1]","2\""]
DKUFV112E	1\"1\2\",["DN","40"],["PN","10"],["B","149"],["B[5:1]","35"],["E","79"],["H","208"],["H[5:1]","120"],["La","154"],["R[5:1]","2\"1\2\""]
DKUFV200E	2\"

FKM

Artikel	product.detail.attribute.[["R"]
DKUFV012F	1\2\"
DKUFV034F	3\4\"
DKUFV100F	1\"
DKUFV114F	1\"1\4\",["DN","32"],["PN","10"],["B","119"],["B[5:1]","30"],["E","72"],["H","188"],["H[5:1]","80"],["La","134"],["R[5:1]","2\""]
DKUFV112F	1\"1\2\",["DN","40"],["PN","10"],["B","149"],["B[5:1]","35"],["E","79"],["H","208"],["H[5:1]","120"],["La","154"],["R[5:1]","2\"1\2\""]
DKUFV200F	2\"

PTFE



DKUFV - DIALOCK® 2-Wege-Membranventil DN 15:65

Artikel	product.detail.attribute.[["R"
DKUFV012P	1\2\"]
DKUFV034P	3\4\"]
DKUFV100P	1\"]
DKUFV114P	1\1\4\],[["DN","32"],["PN","10"],["B","119"],["B[5:1)","30"],["E","72"],["H","188"],["H[5:1)","80"],["Ld","134"],["R[5:1)","2\"]]
DKUFV112P	1\1\2\],[["DN","40"],["PN","10"],["B","149"],["B[5:1)","35"],["E","79"],["H","208"],["H[5:1)","120"],["Ld","154"],["R[5:1)","2\1\2\"]]
DKUFV200P	2\"]

