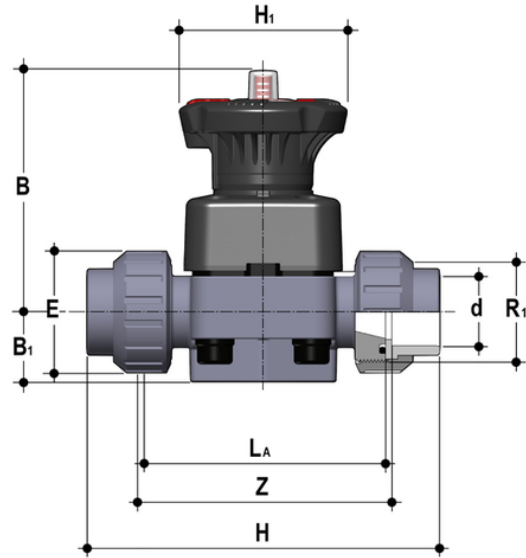


DKUAV - DIALOCK® 2-Wege-Membranventil DN 15:65

DIALOCK®-Membranventil mit Überwurfverschraubungen zum Verbinden von ASTM-Serien.



EPDM

Artikel	product.detail.attribute.[["d"
DKUAV012E	1\2\"
DKUAV034E	3\4\"
DKUAV100E	1\"
DKUAV114E	1\1\4",[\"DN\", \"32\"],[\"PN\", \"10\"],[\"B\", \"119\"],[\"B[5:1]\", \"30\"],[\"E\", \"72\"],[\"H\", \"208\"],[\"H[5:1]\", \"80\"],[\"Ld\", \"134\"],[\"R[5:1]\", \"2\"]]
DKUAV112E	1\1\2",[\"DN\", \"40\"],[\"PN\", \"10\"],[\"B\", \"149\"],[\"B[5:1]\", \"35\"],[\"E\", \"79\"],[\"H\", \"234\"],[\"H[5:1]\", \"120\"],[\"Ld\", \"154\"],[\"R[5:1]\", \"2\1\2\"]]
DKUAV200E	2\"

FKM

Artikel	product.detail.attribute.[["d"
DKUAV012F	1\2\"
DKUAV034F	3\4\"
DKUAV100F	1\"
DKUAV114F	1\1\4",[\"DN\", \"32\"],[\"PN\", \"10\"],[\"B\", \"119\"],[\"B[5:1]\", \"30\"],[\"E\", \"72\"],[\"H\", \"208\"],[\"H[5:1]\", \"80\"],[\"Ld\", \"134\"],[\"R[5:1]\", \"2\"]]
DKUAV112F	1\1\2",[\"DN\", \"40\"],[\"PN\", \"10\"],[\"B\", \"149\"],[\"B[5:1]\", \"35\"],[\"E\", \"79\"],[\"H\", \"234\"],[\"H[5:1]\", \"120\"],[\"Ld\", \"154\"],[\"R[5:1]\", \"2\1\2\"]]
DKUAV200F	2\"

PTFE



DKUAV - DIALOCK® 2-Wege-Membranventil DN 15:65

Artikel	product.detail.attribute.[["d"
DKUAV012P	1\2\"]
DKUAV034P	3\4\"]
DKUAV100P	1\"]
DKUAV114P	1\1\4\"],["DN","32"],["PN","10"],["B","119"],["B[5:1]","30"],["E","72"],["H","208"],["H[5:1]","80"],["Lα","134"],["R[5:1]","2\"]]
DKUAV112P	1\1\2\"],["DN","40"],["PN","10"],["B","149"],["B[5:1]","35"],["E","79"],["H","234"],["H[5:1]","120"],["Lα","154"],["R[5:1]","2\1\2\"]]
DKUAV200P	2\"]

