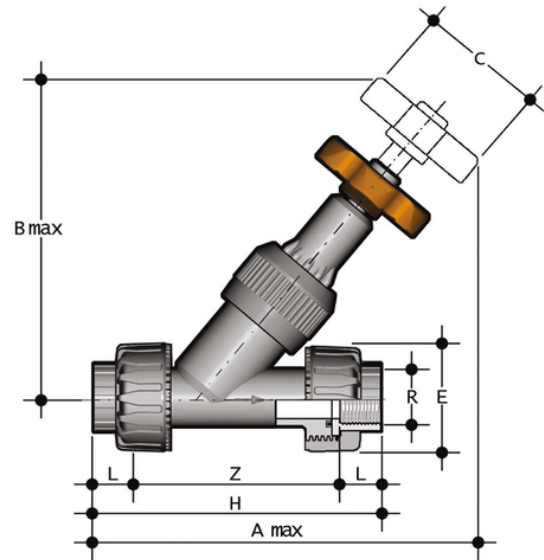


VVUFV - Schrägsitzventil DN 10:50

Schrägsitzventil mit Überwurfverschraubungen, zylindrisches Gasgewinde.



Artikel	product.detail.attribute. ["R"]	R	DN	product.detail.attribute.PN	product.detail.attribute.A max	product.detail.attribute.B max	product.c
VVUFV012E	1\2\u201d	-	-	-	-	-	-
VVUFV034E	3\4"	-	-	-	-	-	-
VVUFV100E	-	1"	25	16	223	173	70
VVUFV114E	1\1\4",["DN","32"], ["PN","10"],["A max","258"],["B max","195"],["C","85"], ["E","87"],["H","214"], ["L","21,4"],["Z","171,2"], ["g","903"]	-	-	-	-	-	-
VVUFV112E	1\1\2",["DN","40"], ["PN","10"],["A max","295"],["B max","222"],["C","105"], ["E","100"],["H","235"], ["L","21,4"],["Z","192,2"], ["g","1320"]	-	-	-	-	-	-
VVUFV200E	-	2"	50	10	359	269	130
VVUFV038E	-	3\8"	10	16	170	124	60