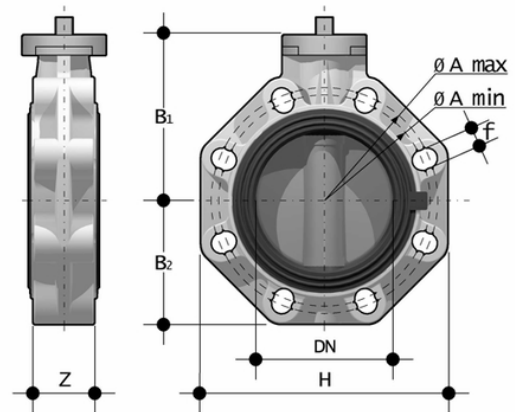


FKOC/FM - Absperrklappe DN 40:300

Freistehende Absperrklappe.



EPDM

Artikel	product.detail.attribute.["d - Size"]	product.detail.attribute.d - Size	DN	product.detail.attribute.PN	product.detail.attribute.A min	product.detail.attrib max
FKOCFM050E	50 - 1\1/2\["DN", "40"], ["PN", "16"], ["A min", "99"], ["A max", "109"], ["\u00f8A", "-"], ["B[5:1]", "106"], ["B[5:2]", "60"], ["f", "19"], ["H", "132"], ["U", "4"], ["Z", "33"], ["g", "597"]	-	-	-	-	-
FKOACFM810E	10\[""]	-	-	-	-	-
FKOCFM315E	-	315	*300	8	-	-
FKOCFM280E	-	280	*250	10	-	-
FKOCFM225E	225 - 8\[""]	-	-	-	-	-
FKOCFM160E	160 - 6\[""]	-	-	-	-	-
FKOCFM140E	140 - 5\[""]	-	-	-	-	-
FKOCFM110E	110 - 4\[""]	-	-	-	-	-
FKOCFM090E	90 - 3\[""]	-	-	-	-	-
FKOCFM075E	75 - 2\1/2\["DN", "65"], ["PN", "10"], ["A min", "128"], ["A max", "144"], ["\u00f8A", "-"], ["B[5:1]", "119"],	-	-	-	-	-



FKOC/FM - Absperrklappe DN 40:300

Artikel	product.detail.attribute. ["d - Size"	product.detail.attribute.d - Size	DN	product.detail.attribute.PN	product.detail.attribute.A min	product.detail.attrib max
	["B[5:2]","80"],["f","19"], ["H","165"],["U","4"], ["Z","46"],["g","933"]					
FKOCFM063E	63 - 2\	-	-	-	-	-
FKOACFM812E	12\	-	-	-	-	-

FKM

Artikel	product.detail.attribute. ["d - Size"	product.detail.attribute.d - Size	DN	product.detail.attribute.PN	product.detail.attribute.A min	product.detail.attrib max
FKOCFM050F	50 - 1\1\2"],["DN","40"], ["PN","16"],["A min","99"], ["A max","109"], ["\u00f8A","-"], ["B[5:1]","106"], ["B[5:2]","60"],["f","19"], ["H","132"],["U","4"], ["Z","33"],["g","597"]	-	-	-	-	-
FKOACFM810F	10\	-	-	-	-	-
FKOCFM315F	-	315	*300	8	-	-
FKOCFM280F	-	280	*250	10	-	-
FKOCFM225F	225 - 8\	-	-	-	-	-
FKOCFM160F	160 - 6\	-	-	-	-	-
FKOCFM140F	140 - 5\	-	-	-	-	-
FKOCFM110F	110 - 4\	-	-	-	-	-
FKOCFM090F	90 - 3\	-	-	-	-	-
FKOCFM075F	75 - 2\1\2"],["DN","65"], ["PN","10"],["A min","128"], ["A max","144"], ["\u00f8A","-"], ["B[5:1]","119"], ["B[5:2]","80"],["f","19"], ["H","165"],["U","4"], ["Z","46"],["g","933"]	-	-	-	-	-
FKOCFM063F	63 - 2\	-	-	-	-	-
FKOACFM812F	12\	-	-	-	-	-

FKM

Artikel	product.detail.attribute. ["d - Size"
FKOCFM050F0SF	50 - 1\1\2"],["DN","40"],["PN","16"],["A min","99"],["A max","109"],["\u00f8A","-"],["B[5:1]","106"],["B[5:2]","60"],["f","19"],["H","132"], ["U","4"],["Z","33"],["g","597"]
FKOCFM063F0SF	63 - 2\





FKOC/FM - Absperrklappe DN 40:300

Artikel	product.detail.attribute.[["d - Size"
FKOCFM075F0SF	75 - 2\1\2",["DN","65"],["PN","10"],["A min","128"],["A max","144"],["\u00f8A","-"],["B[5:1]","119"],["B[5:2]","80"],["f","19"],["H","165"],["U","4"],["Z","46"],["g","933"]
FKOCFM090F0SF	90 - 3\1\2"
FKOCFM110F0SF	110 - 4\1\2"
FKOCFM140F0SF	140 - 5\1\2"
FKOCFM160F0SF	160 - 6\1\2"

