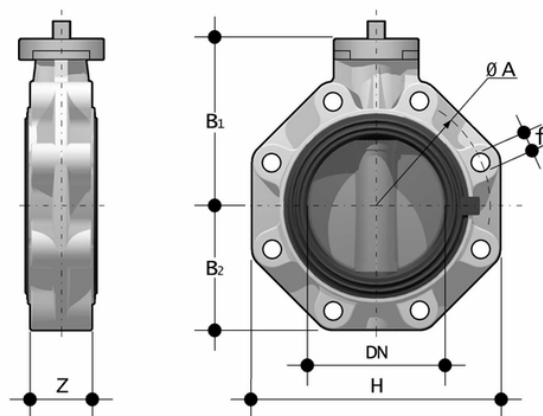


FKOC/FM LUG ANSI - Absperrklappe iDN 40:300

Freistehende Absperrklappe in ANSI-Ausführung.



EPDM

Artikel	d	DN	product.detail.attribute.PN	product.detail.attribute.øA	product.detail.attribute.B[5:1]	product.detail.attribute.B[5:2]	product.detail.attribute.B[5:3]
FKOALCFM212E	2" 1/2	65	10	139,7	119	80	5/8"
FKOALCFM300E	3"	80	10	152,4	133	93	5/8"
FKOALCFM400E	4"	100	10	190,5	147	107	5/8"
FKOALCFM500E	5"	125	10	215,9	167	120	3/4"
FKOALCFM600E	6"	150	10	241,3	180	134	3/4"
FKOALCFM800E	8"	200	10	298,4	227	161	3/4"
FKOALCFM810E	10"	250	6	362	248	210	7/8"
FKOALCFM812E	12"	300	6	431,8	305	245	7/8"

FKM

Artikel	d	DN	product.detail.attribute.PN	product.detail.attribute.øA	product.detail.attribute.B[5:1]	product.detail.attribute.B[5:2]	product.detail.attribute.B[5:3]
FKOALCFM212F	2" 1/2	65	10	139,7	119	80	5/8"
FKOALCFM300F	3"	80	10	152,4	133	93	5/8"
FKOALCFM400F	4"	100	10	190,5	147	107	5/8"
FKOALCFM500F	5"	125	10	215,9	167	120	3/4"
FKOALCFM600F	6"	150	10	241,3	180	134	3/4"

FKOC/FM LUG ANSI - Absperrklappe iDN 40:300

Artikel	d	DN	product.detail.attribute.PN	product.detail.attribute.øA	product.detail.attribute.B[5:1]	product.detail.attribute.B[5:2]	product.detail.attribute.B[5:3]
FKOALCFM800F	8"	200	10	298,4	227	161	3/4"
FKOALCFM810F	10"	250	6	362	248	210	7/8"
FKOALCFM812F	12"	300	6	431,8	305	245	7/8"

FKM

Artikel	d	DN	product.detail.attribute.PN	product.detail.attribute.øA	product.detail.attribute.B[5:1]	product.detail.attribute.B[5:2]	product.detail.attribute.B[5:3]
FKOALCFM212F0SF	2" 1/2	65	10	139,7	119	80	5/8"
FKOALCFM300F0SF	3"	80	10	152,4	133	93	5/8"
FKOALCFM400F0SF	4"	100	10	190,5	147	107	5/8"
FKOALCFM500F0SF	5"	125	10	215,9	167	120	3/4"
FKOALCFM600F0SF	6"	150	10	241,3	180	134	3/4"