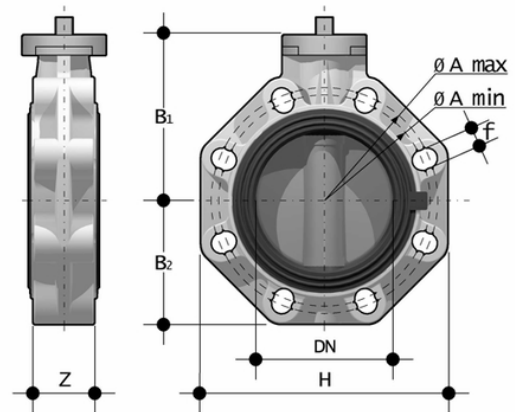


FKOV/FM - Absperrklappe DN 40:400

Freistehende Absperrklappe.



EPDM

Artikel	product.detail.attribute.["d"]	d	DN	product.detail.attribute.PN	product.detail.attribute.A min	product.detail.attribute.A max	product.detail.attribute.H
FKOVFM050E	50 - 1\1/2\,"["DN","40"], ["PN","16"],["A min","99"], ["A max","109"], ["\u00f8A","-"], ["B[5:1]","106"], ["B[5:2]","60"],["f","19"], ["H","132"],["U","4"], ["Z","33"],["g","574"]	-	-	-	-	-	-
FKOAVFM814E	14\"]	-	-	-	-	-	-
FKOAVFM812E	****12\"]	-	-	-	-	-	-
FKOAVFM810E	****10\"]	-	-	-	-	-	-
FKOVFM400E	-	400	400	6	-	-	515
FKOVFM355E	-	355	350	7	-	-	460
FKOVFM315E	-	315	300	8	-	-	400
FKOVFM280E	-	***280	250	10	-	-	350
FKOVFM225E	225 - 8\"]	-	-	-	-	-	-
FKOVFM160E	160 - 6\"]	-	-	-	-	-	-
FKOVFM140E	140 - 5\"]	-	-	-	-	-	-
FKOVFM110E	110 - 4\"]	-	-	-	-	-	-



FKOV/FM - Absperrklappe DN 40:400

Artikel	product.detail.attribute. ["d"	d	DN	product.detail.attribute.PN	product.detail.attribute.A min	product.detail.attribute.A max	product.detail.attribute.A
FKOVFM090E	90 - 3\	-	-	-	-	-	-
FKOVFM075E	75 - 2\1\2",["DN","65"], ["PN","10"],["A min","128"], ["A max","144"], ["\u00f8A","-"], ["B[5:1]","119"], ["B[5:2]","80"],["f","19"], ["H","165"],["U","4"], ["Z","46"],["g","1000"]	-	-	-	-	-	-
FKOVFM063E	63 - 2\	-	-	-	-	-	-
FKOAVFM816E	16\	-	-	-	-	-	-

FKM

Artikel	product.detail.attribute. ["d"	d	DN	product.detail.attribute.PN	product.detail.attribute.A min	product.detail.attribute.A max	product.detail.attribute.A
FKOVFM050F	50 - 1\1\2",["DN","40"], ["PN","16"],["A min","99"], ["A max","109"], ["\u00f8A","-"], ["B[5:1]","106"], ["B[5:2]","60"],["f","19"], ["H","132"],["U","4"], ["Z","33"],["g","574"]	-	-	-	-	-	-
FKOAVFM814F	14\	-	-	-	-	-	-
FKOAVFM812F	****12\	-	-	-	-	-	-
FKOAVFM810F	****10\	-	-	-	-	-	-
FKOVFM400F	-	400	400	6	-	-	515
FKOVFM355F	-	355	350	7	-	-	460
FKOVFM315F	-	***315	300	8	-	-	400
FKOVFM280F	-	***280	250	10	-	-	350
FKOVFM225F	225 - 8\	-	-	-	-	-	-
FKOVFM160F	160 - 6\	-	-	-	-	-	-
FKOVFM140F	140 - 5\	-	-	-	-	-	-
FKOVFM110F	110 - 4\	-	-	-	-	-	-
FKOVFM090F	90 - 3\	-	-	-	-	-	-
FKOVFM075F	75 - 2\1\2",["DN","65"], ["PN","10"],["A min","128"], ["A max","144"], ["\u00f8A","-"], ["B[5:1]","119"], ["B[5:2]","80"],["f","19"], ["H","165"],["U","4"], ["Z","46"],["g","1000"]	-	-	-	-	-	-





FKOV/FM – Absperrklappe DN 40:400

Artikel	product.detail.attribute.["d"]	d	DN	product.detail.attribute.PN	product.detail.attribute.A min	product.detail.attribute.A max	product.detail.attribute...
FKOVFM063F	63 - 2\	-	-	-	-	-	-
FKOAVFM816F	16\	-	-	-	-	-	-

FKM

Artikel	product.detail.attribute.["d"]
FKOVFM050FOSF	50 - 1\1\2\,["DN","40"],["PN","16"],["A min","99"],["A max","109"],["\u00f8A","-"],["B[5:1]","106"],["B[5:2]","60"],["f","19"],["H","132"],["U","4"],["Z","33"],["g","574"]
FKOVFM063FOSF	63 - 2\
FKOVFM075FOSF	75 - 2\1\2\,["DN","65"],["PN","10"],["A min","128"],["A max","144"],["\u00f8A","-"],["B[5:1]","119"],["B[5:2]","80"],["f","19"],["H","165"],["U","4"],["Z","46"],["g","1000"]
FKOVFM090FOSF	90 - 3\
FKOVFM110FOSF	110 - 4\
FKOVFM140FOSF	140 - 5\
FKOVFM160FOSF	160 - 6\

