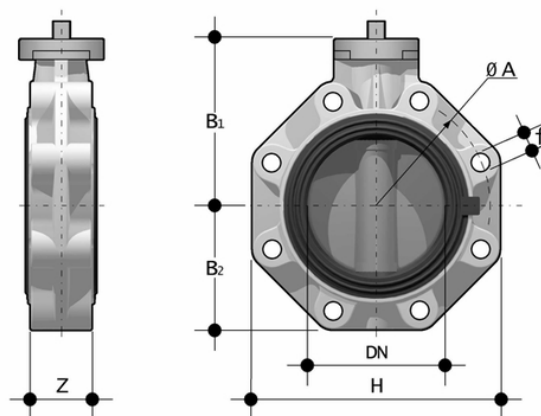


# FKOV/FM LUG ANSI - Absperrklappe DN 40:400

Freistehende Absperrklappe Lug ANSI-Version.



## EPDM

Artikel	d	DN	product.detail.attribute.PN	product.detail.attribute.ØA	product.detail.attribute.B[5:1]	product.detail.attribute.B[5:2]	product.detail.attribute.B[5:3]
FKOALVFM500E	5"	125	10	215,9	167	120	3/4"
FKOALVFM600E	6"	150	10	241,3	180	134	3/4"
FKOALVFM800E	8"	200	10	298,4	227	161	3/4"
FKOALVFM810E	10"	250	6	362	248	210	7/8"
FKOALVFM812E	12"	300	6	431,8	305	245	7/8"
FKOALVFM212E	2" 1/2	65	10	139,7	119	80	5/8"
FKOALVFM300E	3"	80	10	152,4	133	93	5/8"
FKOALVFM400E	4"	100	10	190,5	147	107	5/8"

## FKM

Artikel	d	DN	product.detail.attribute.PN	product.detail.attribute.ØA	product.detail.attribute.B[5:1]	product.detail.attribute.B[5:2]	product.detail.attribute.B[5:3]
FKOALVFM212F	2" 1/2	65	10	139,7	119	80	5/8"
FKOALVFM300F	3"	80	10	152,4	133	93	5/8"
FKOALVFM400F	4"	100	10	190,5	147	107	5/8"
FKOALVFM500F	5"	125	10	215,9	167	120	3/4"
FKOALVFM600F	6"	150	10	241,3	180	134	3/4"

# FKOV/FM LUG ANSI - Absperrklappe DN 40:400

Artikel	d	DN	product.detail.attribute.PN	product.detail.attribute.øA	product.detail.attribute.B[5:1]	product.detail.attribute.B[5:2]	product.detail.attribute.B[5:3]
FKOALVFM800F	8"	200	10	298,4	227	161	3/4"
FKOALVFM810F	10"	250	6	362	248	210	7/8"
FKOALVFM812F	12"	300	6	431,8	305	245	7/8"

## FKM

Artikel	d	DN	product.detail.attribute.PN	product.detail.attribute.øA	product.detail.attribute.B[5:1]	product.detail.attribute.B[5:2]	product.detail.attribute.B[5:3]
FKOALVFM212F0SF	2" 1/2	65	10	139,7	119	80	5/8"
FKOALVFM300F0SF	3"	80	10	152,4	133	93	5/8"
FKOALVFM400F0SF	4"	100	10	190,5	147	107	5/8"
FKOALVFM500F0SF	-	-	-	-	-	-	-
FKOALVFM600F0SF	6"	150	10	241,3	180	134	3/4"