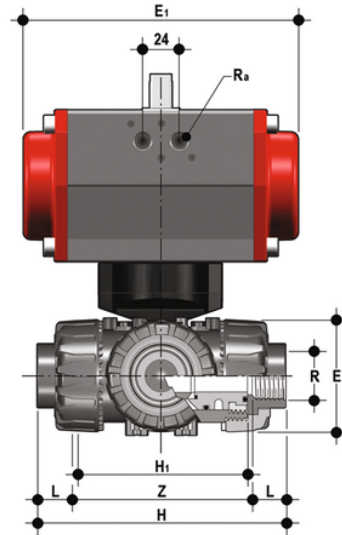


TKDGV/CP DA – Pneumatisch betätigter 3-Wege DUAL BLOCK® Kugelhahn DN 10:50

DUAL BLOCK® 3-Wege-Kugelhahn mit Innengewinde, JIS-Gewinde Doppeltwirkende Funktion. T"-Kugel, Konfiguration 1.



EPDM

| Artikel | product.detail.attribute.[["R" |
|--------------|--------------------------------|
| TKDGVDA012E1 | 1\2\u201d] |
| TKDGVDA034E1 | 3\4\u201d] |
| TKDGVDA100E1 | 1\u201d] |
| TKDGVDA114E1 | 1\u201d 1\4] |
| TKDGVDA112E1 | 1\u201d 1\2] |
| TKDGVDA200E1 | 2\u201d] |

FKM

| Artikel | product.detail.attribute.[["R" |
|--------------|--------------------------------|
| TKDGVDA012F1 | 1\2\u201d] |
| TKDGVDA034F1 | 3\4\u201d] |
| TKDGVDA100F1 | 1\u201d] |
| TKDGVDA114F1 | 1\u201d 1\4] |
| TKDGVDA112F1 | 1\u201d 1\2] |
| TKDGVDA200F1 | 2\u201d] |