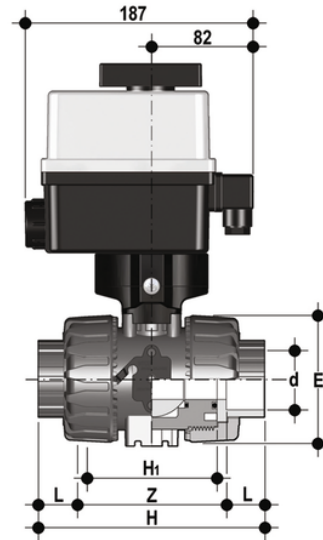


VKDAC/CE 24 V AC/DC – DUAL BLOCK® Elektrisch betätigter 2-Wege-Kugelhahn DN 10:50

DUAL BLOCK® Zweiwege-Kugelhahn mit Innengewinde zum Kleben, Serie ASTM mit elektrischem Antrieb 24 V AC/DC.



EPDM

| Artikel | d | DN | product.detail.attribute.PN | product.detail.attribute.E | H | H1 | L | Z | B | product.detail.attribute.B1 | product.detail.attribute.B1 | product.detail.attribute.B1 |
|--------------|--------|----|-----------------------------|----------------------------|-----|-----|------|-------|-----|-----------------------------|-----------------------------|-----------------------------|
| VKDACELO34E | 3/4" | 20 | 16 | 65 | 129 | 70 | 25,5 | 78 | 216 | 34,5 | - | - |
| VKDACELO100E | 1" | 25 | 16 | 73 | 142 | 78 | 28,7 | 84,6 | 221 | 39 | - | - |
| VKDACELO114E | 1" 1/4 | 32 | 16 | 86 | 162 | 88 | 32 | 98 | 238 | 46 | - | - |
| VKDACELO112E | 1" 1/2 | 40 | 16 | 98 | 172 | 93 | 35 | 102 | 244 | 52 | - | - |
| VKDACELO200E | 2" | 50 | 16 | 122 | 199 | 111 | 38,2 | 122,6 | 261 | 62 | - | - |
| VKDACELO12E | - | - | - | - | - | - | - | - | - | - | - | 1/2\ u201d] |

FKM

| Artikel | d | DN | product.detail.attribute.PN | product.detail.attribute.E | H | H1 | L | Z | B | product.detail.attribute.B1 | product.detail.attribute.B1 | product.detail.attribute.B1 |
|--------------|--------|----|-----------------------------|----------------------------|-----|-----|------|-------|-----|-----------------------------|-----------------------------|-----------------------------|
| VKDACELO12F | 1/2" | 15 | 16 | 54 | 117 | 65 | 22,5 | 72 | 205 | 29 | - | - |
| VKDACELO34F | 3/4" | 20 | 16 | 65 | 129 | 70 | 25,5 | 78 | 216 | 34,5 | - | - |
| VKDACELO100F | 1" | 25 | 16 | 73 | 142 | 78 | 28,7 | 84,6 | 221 | 39 | - | - |
| VKDACELO114F | 1" 1/4 | 32 | 16 | 86 | 162 | 88 | 32 | 98 | 238 | 46 | - | - |
| VKDACELO112F | 1" 1/2 | 40 | 16 | 98 | 172 | 93 | 35 | 102 | 244 | 52 | - | - |
| VKDACELO200F | 2" | 50 | 16 | 122 | 199 | 111 | 38,2 | 122,6 | 261 | 62 | - | - |